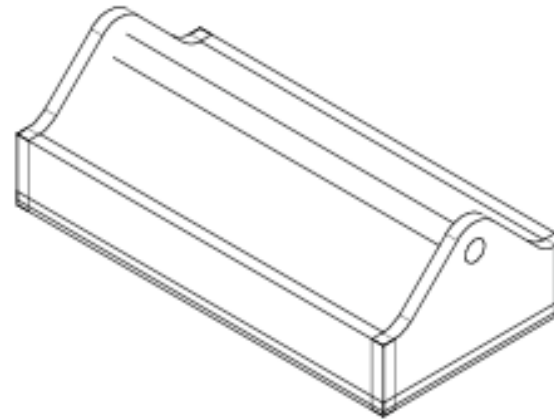


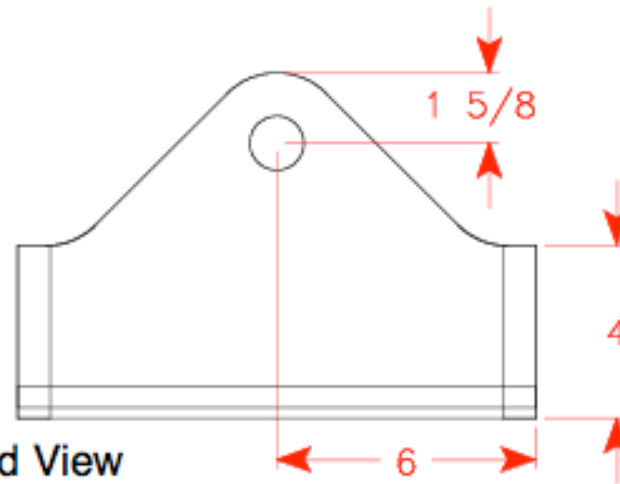
Top View



Iso View



Side View



End View

					<b>Name</b>	<b>Date</b>	<b>Title</b>	
				<b>Created By</b>				
				<b>Checked By</b>				
				<b>Scale</b>				
				Wooden Toolbox			<b>Drawing Number</b>	<b>Issue</b>
				(c) 2007 Chris Bayler Licensed to About.com				
				<a href="http://woodworking-about.com">http://woodworking-about.com</a>				
<b>No</b>	<b>Change</b>	<b>Date</b>	<b>Init</b>					

## Bill of Materials

Qty.	Lumber	Material	Details
4'	1x10	Pine	For sides and ends
1	1/2" plywood	Pine or Birch	1 piece sanded 1/2" plywood, sized 11-1/4" x 23-1/4" for bottom of toolbox
1	1-1/4" Dowel	Pine	Handle
2	Shims		2 wedges or shims, can be purchased or cut from any 1-1/4" thick stock