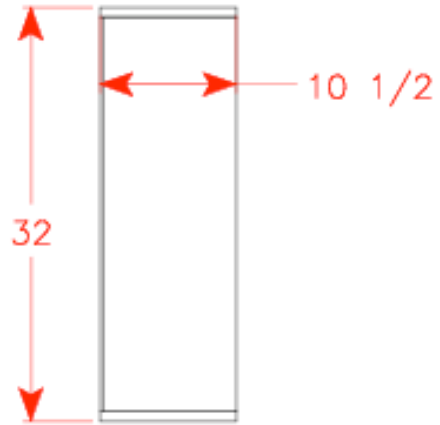
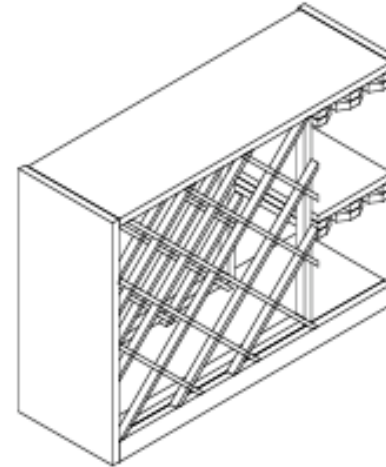


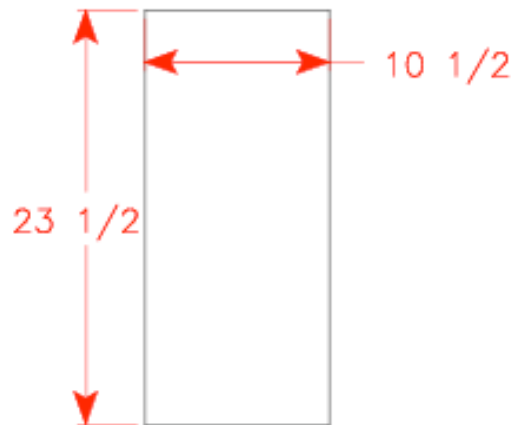
Top



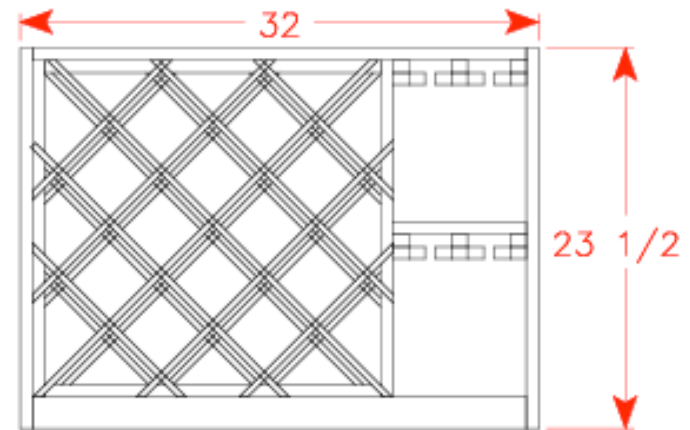
Iso



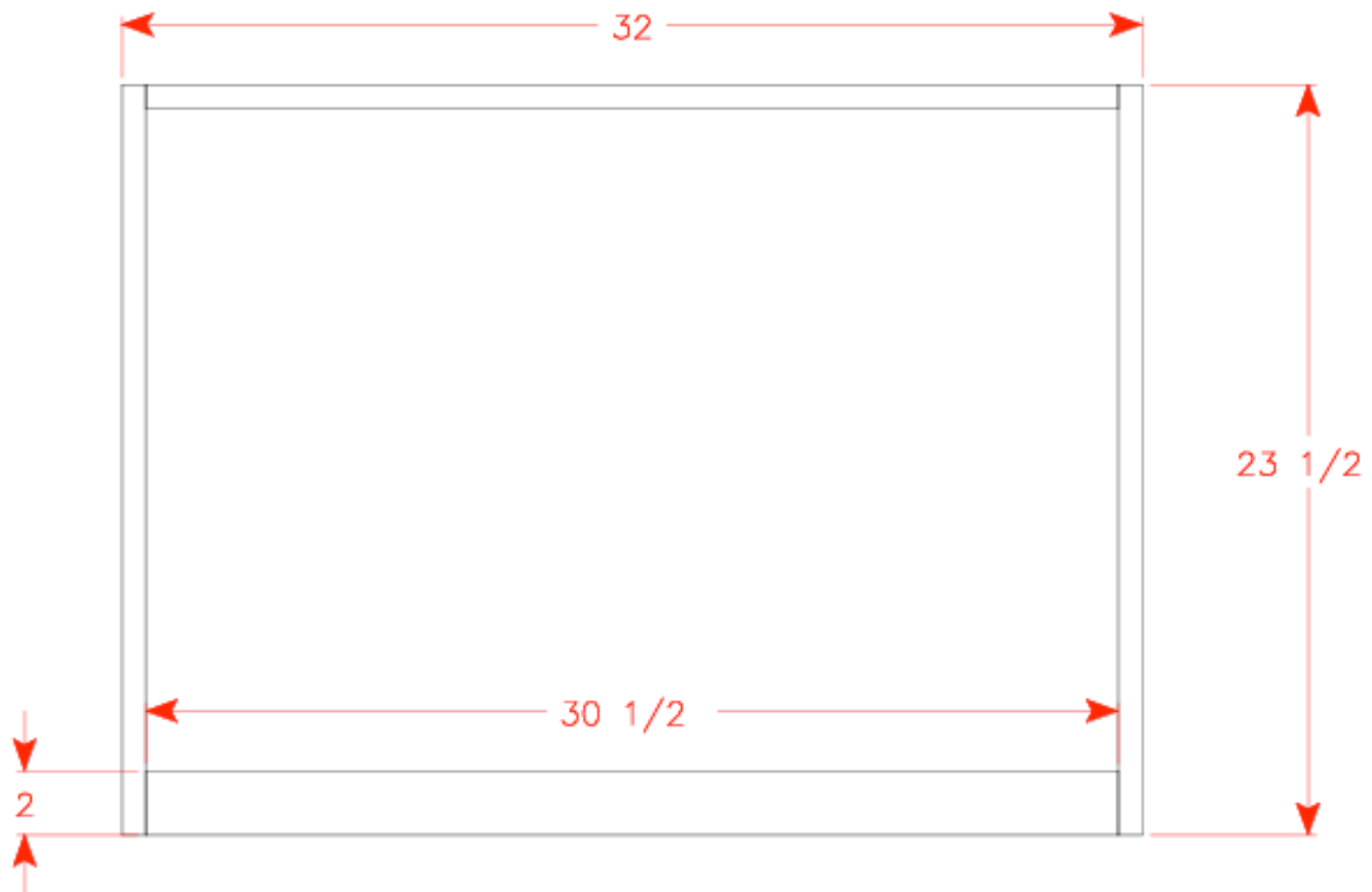
Side



Front



No	Change	Date	Init	Name	Date	Title	Drawing Number	Issue
				Created By				
				Checked By				
				Scale				
				Blatna Wine Rack (c) 2007 Chris Bayler Licensed to About.com, Inc. http://woodworking.about.com				1



Notes:

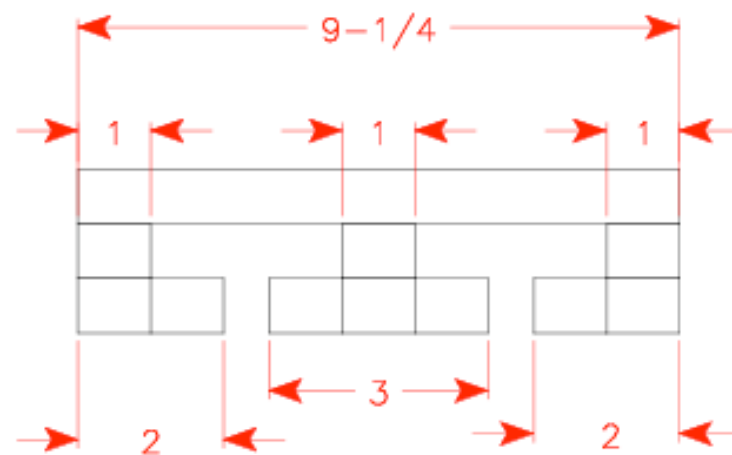
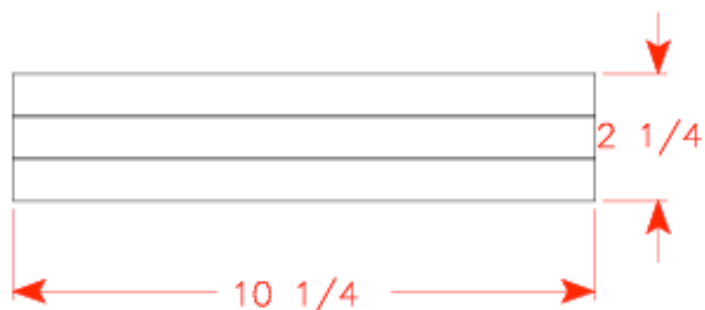
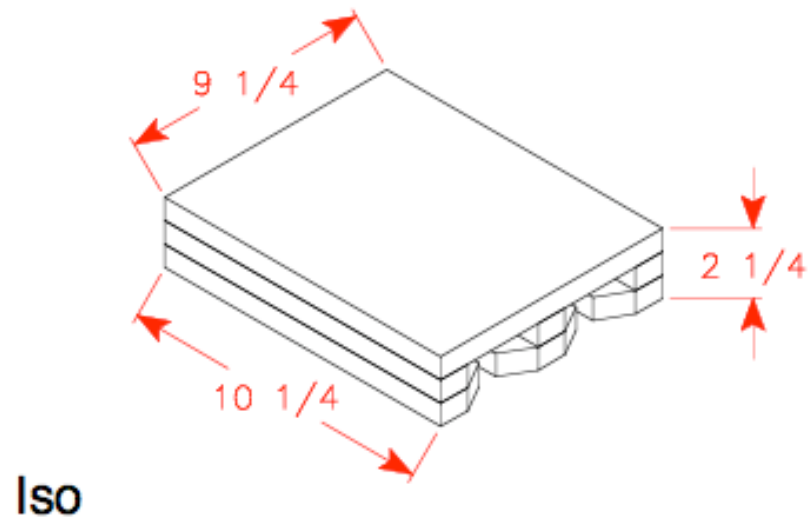
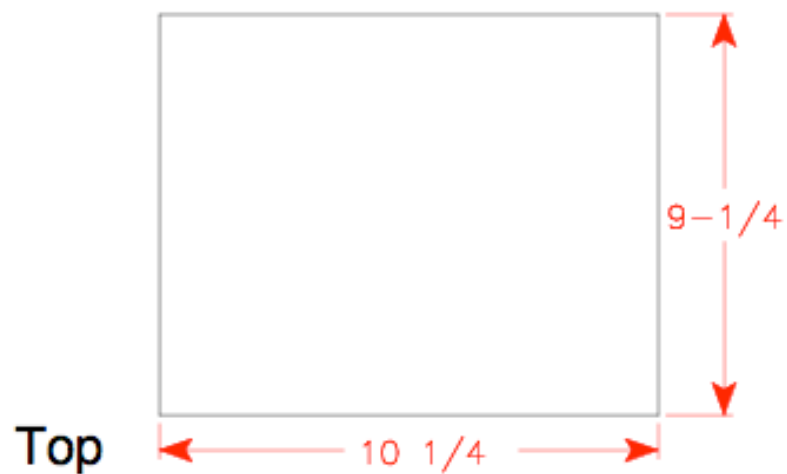
Front View of Case

Bistro Wine Rack

(c) 2007 Chris Baylor
Licensed to About.com, Inc.
<http://woodworking.about.com>

Page

2

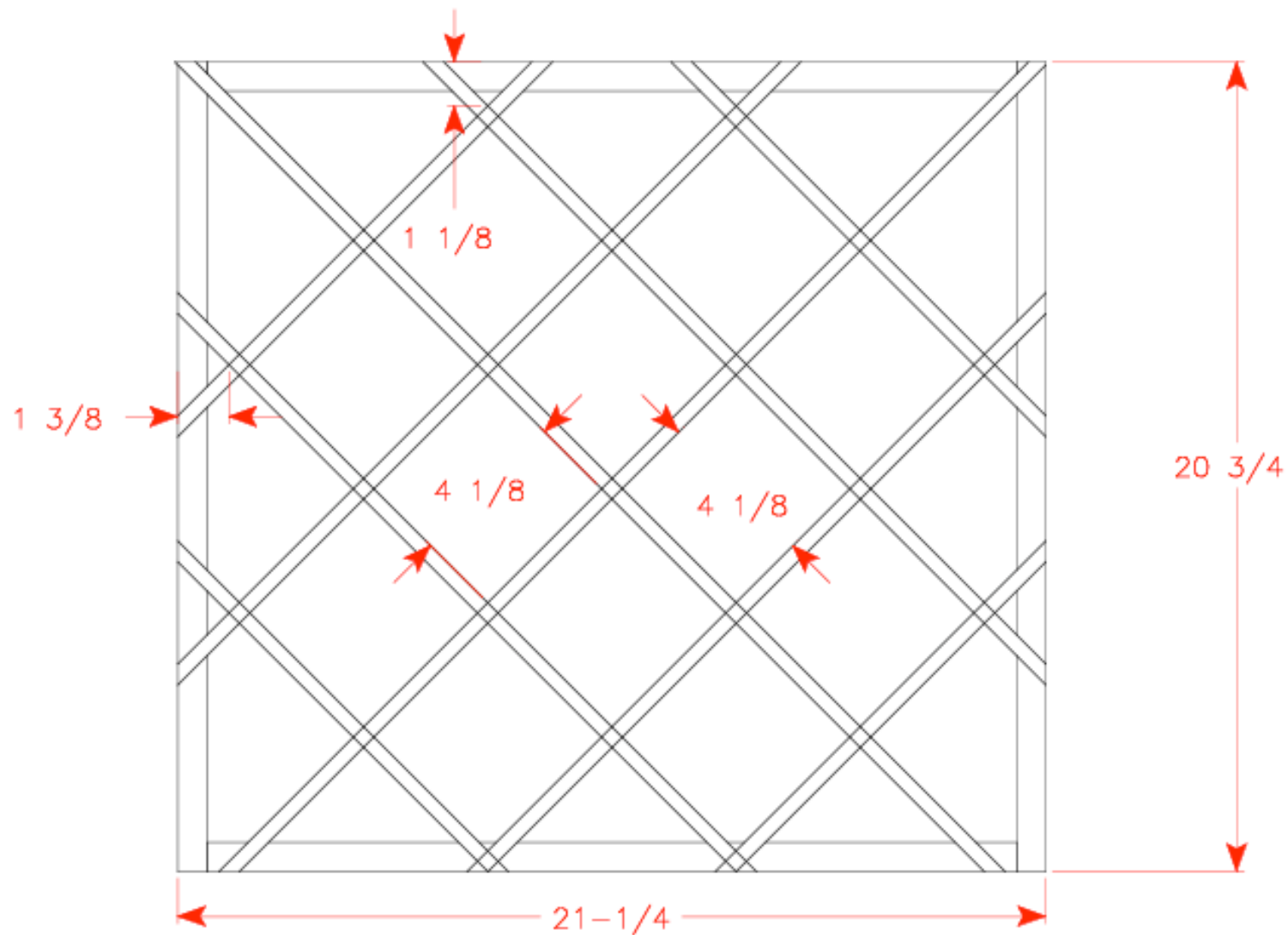


Notes: Bottom glass rack.
Top rack is identical except that it is attached to case top rather than small shelf

Bistro Wine Rack

(c) 2007 Chris Baylor
Licensed to About.com, Inc.
<http://woodworking.about.com>

Page
3

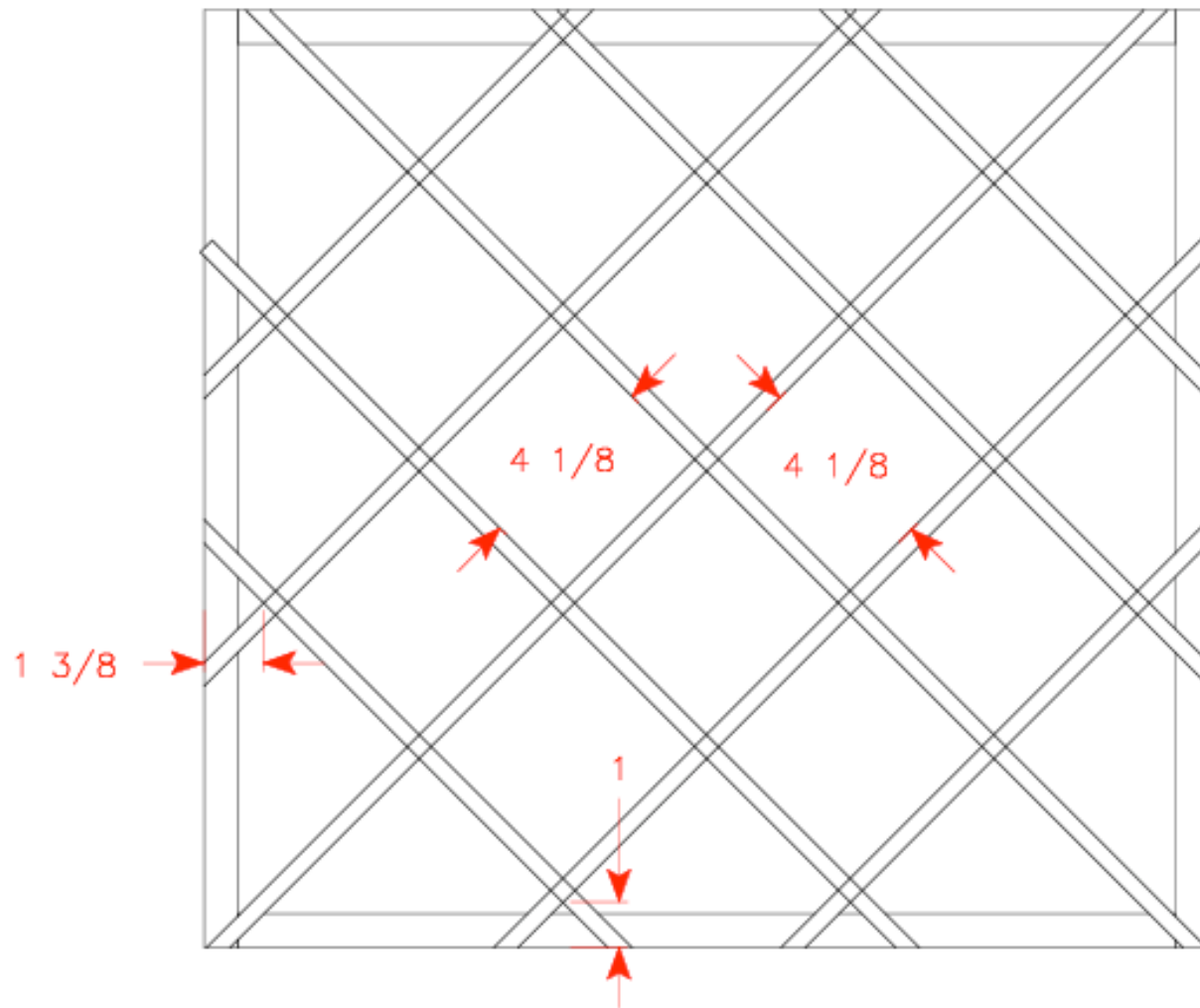


Notes: Rear Rack - Set 1" lower than Front rack

Bistro Wine Rack

(c) 2007 Chris Baylor
 Licensed to About.com, Inc.
<http://woodworking.about.com>

Page
4



Notes: Front Rack - Set 1" higher than Back Rack

Bistro Wine Rack

(c) 2007 Chris Baylor
 Licensed to About.com, Inc.
<http://woodworking.about.com>

Page
5

Bill of Materials

Qty.	Lumber	Material	Details
2	1x12x8'	Maple, Oak, Poplar or Pine	For top, bottom and sides of carcass
2	1x6x8'	Maple, Oak, Poplar or Pine	For rack construction and wine glass slides
1	32"x24"	1/4" Plywood	Plywood back