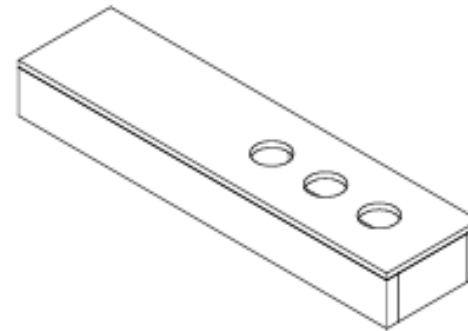
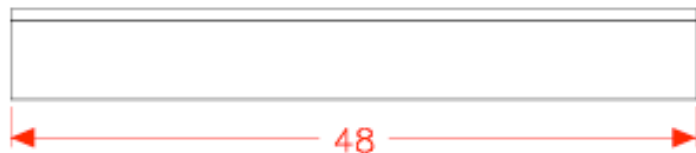


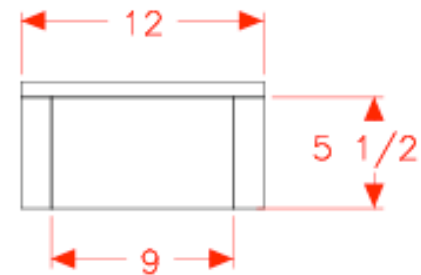
Top View



Iso View



Side View



End View

Notes:

All dimensions are in inches

Washers Boxes

(c) 2007 Chris Baylor  
 Licensed to About.com, Inc.  
<http://woodworking.about.com>

Page

## Bill of Materials

Title	Qty.	Stock	Dimensions	Details
Box Sides	4	2x6 Treated	48"	Sides of the box structure (for 2 boxes)
Cross-members	6	2x6 Treated	9"	Structural cross-members of box (for 2 boxes)
Top of box	2	3/4" Plywood	48" x 12"	Playing surface (for 2 boxes)
Washers	3	3" diameter		3 washers per player
Spray paint				Paint each set of washers a different color
U-bolt	2	2"		2 U-bolts for connecting chain
Key Rings	2	1" diameter		2 round key rings for connecting chain to u-bolts
Chain	1	12' length		12' length of lightweight chain for connecting boxes