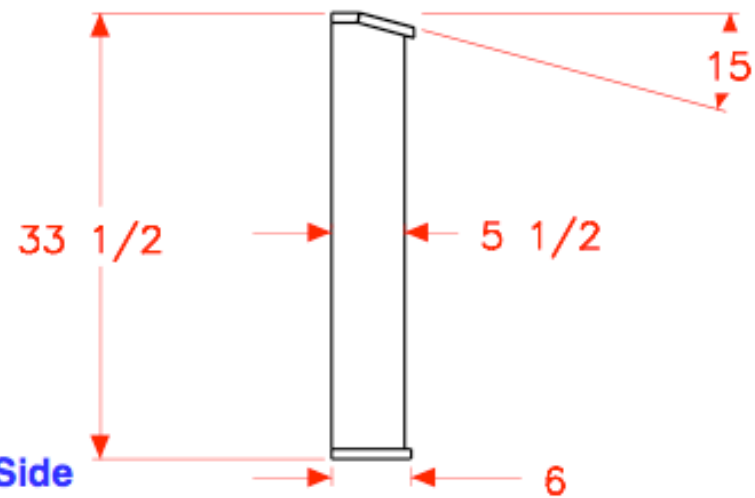


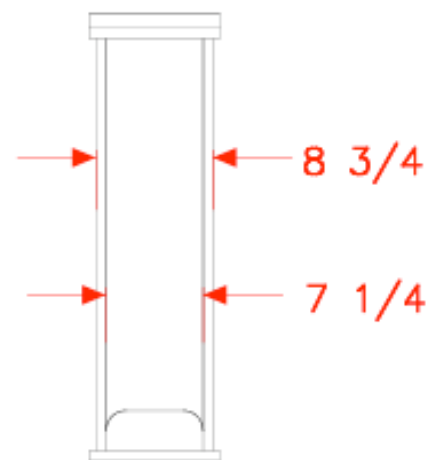
Top

Iso



Side

Front



Notes:

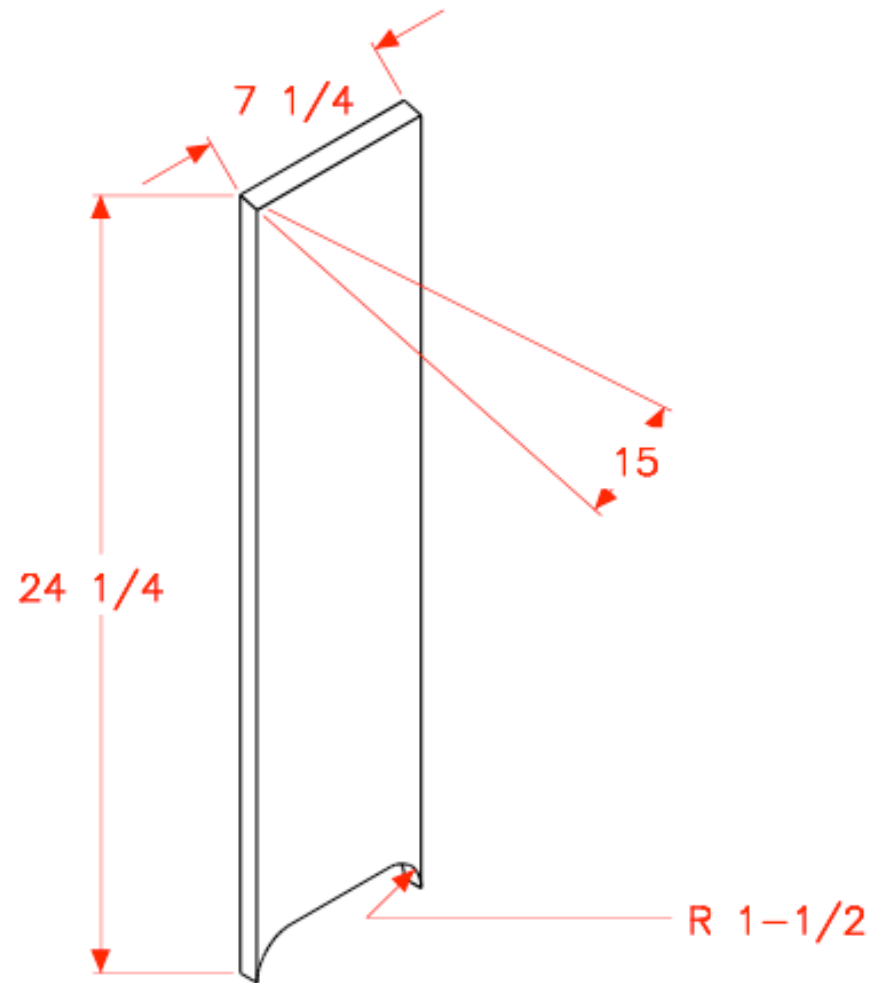
Dims in inches or degrees

Plastic Bag Saver

(c) 2007 Chris Baylor  
 Licensed to About.com, Inc.  
<http://woodworking.about.com>

Page

1



**Front Piece - Iso View**

Notes:

**Dims in inches or degrees**

**Plastic Bag Saver**

(c) 2007 Chris Baylor

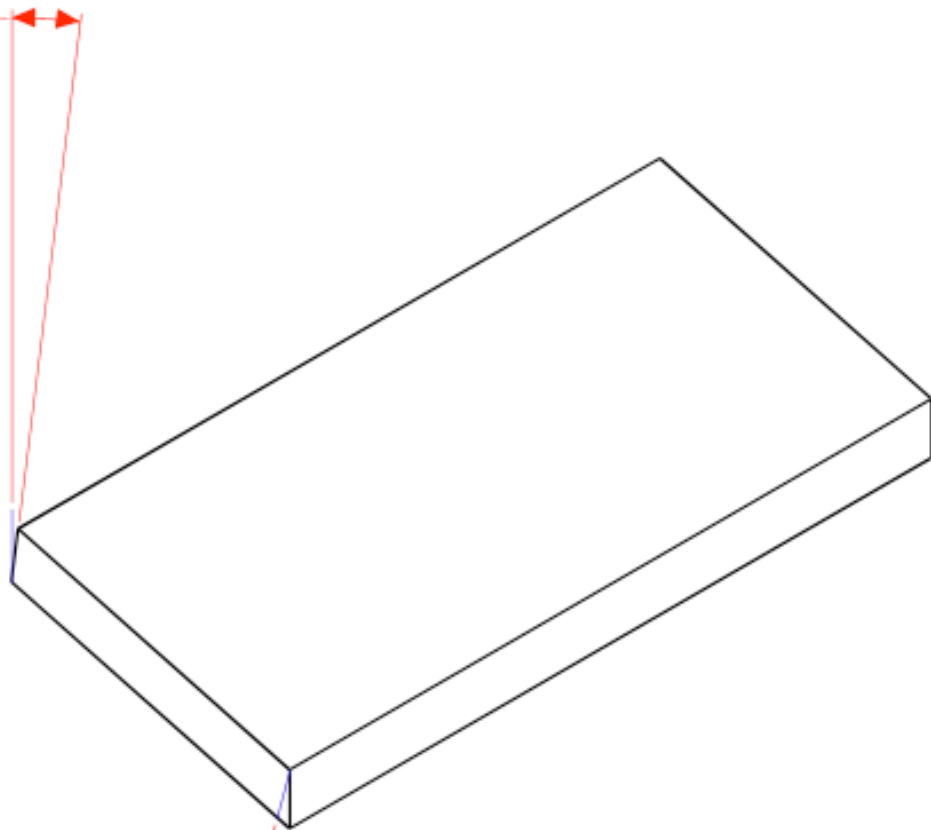
Licensed to About.com, Inc.

<http://woodworking.about.com>

Page

**2**

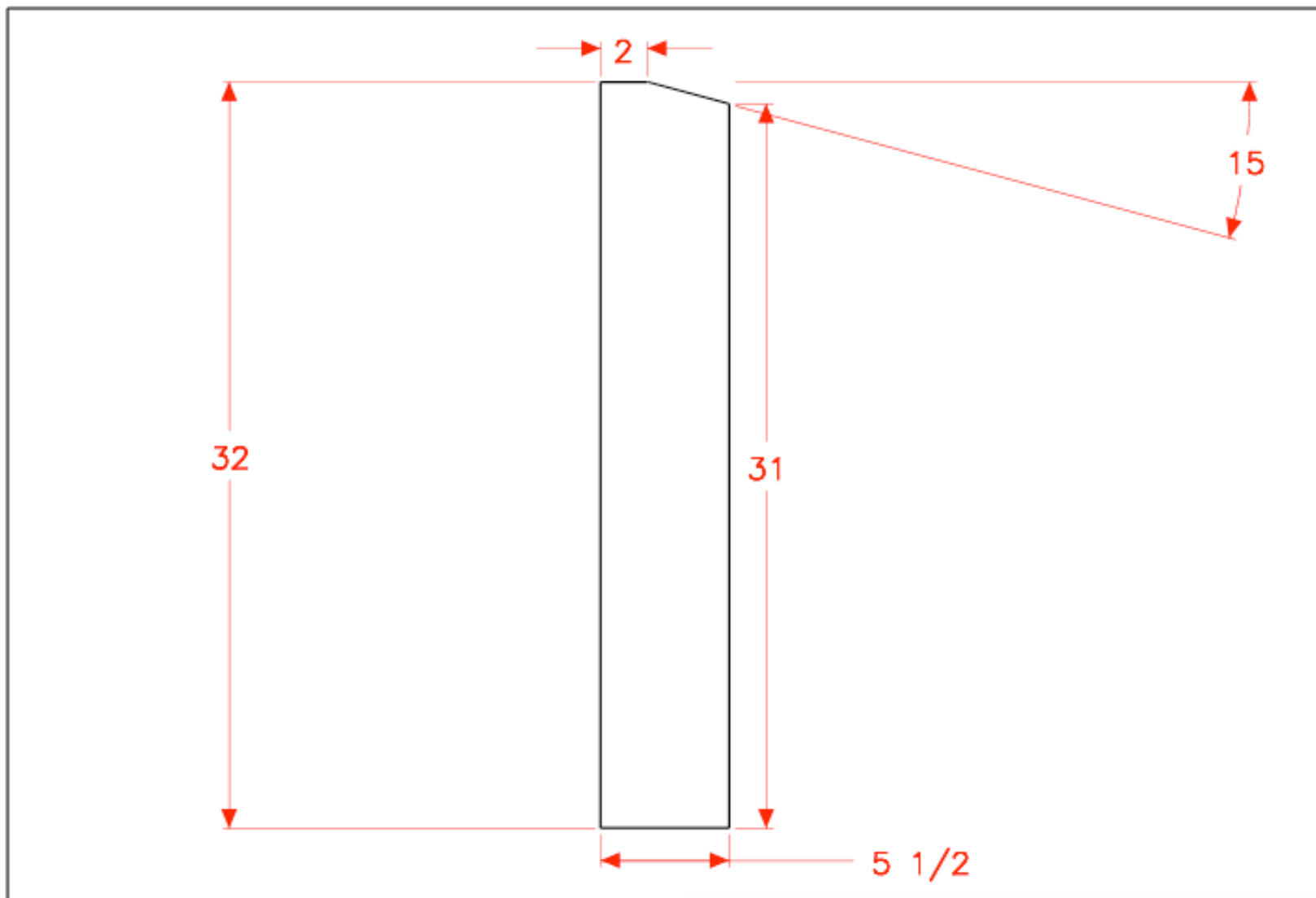
7 1/2



15

**Top Door - Iso View**

<p>Notes: <b>All dimensions are in degrees</b></p>	<p><b>Plastic Bag Saver</b></p>	<p>(c) 2007 Chris Baylor Licensed to About.com, Inc. <a href="http://woodworking.about.com">http://woodworking.about.com</a></p>	<p>Page <b>3</b></p>
--	---------------------------------	--	--------------------------



Notes:  
**Dims in inches or degrees**

**Plastic Bag Saver**

(c) 2007 Chris Baylor  
Licensed to About.com, Inc.  
<http://woodworking.about.com>

Page  
**4**

## Bill of Materials

Qty.	Lumber	Material	Details
1	1x6x8'	Poplar or Pine (or optional hardwood)	For cabinet base
1	1x8x6'	Poplar or Pine (or optional hardwood)	For top face board and structural supports
2		3/4" Brass Hinges	For top door