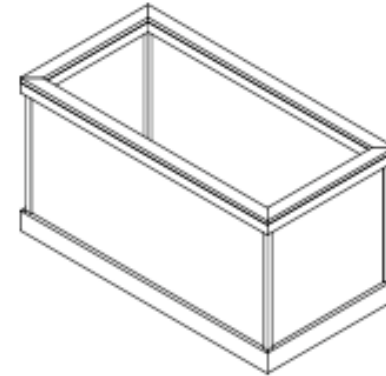


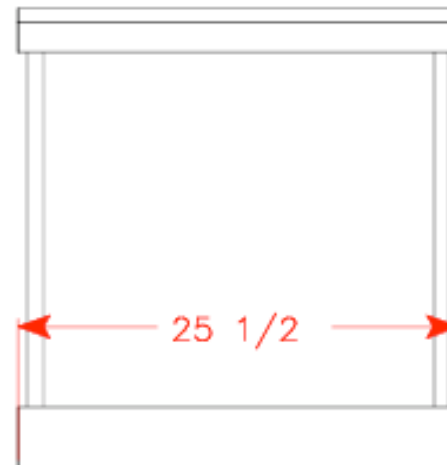
Top



Iso



Side



End

Notes:

All dimensions are in inches

Planter Box

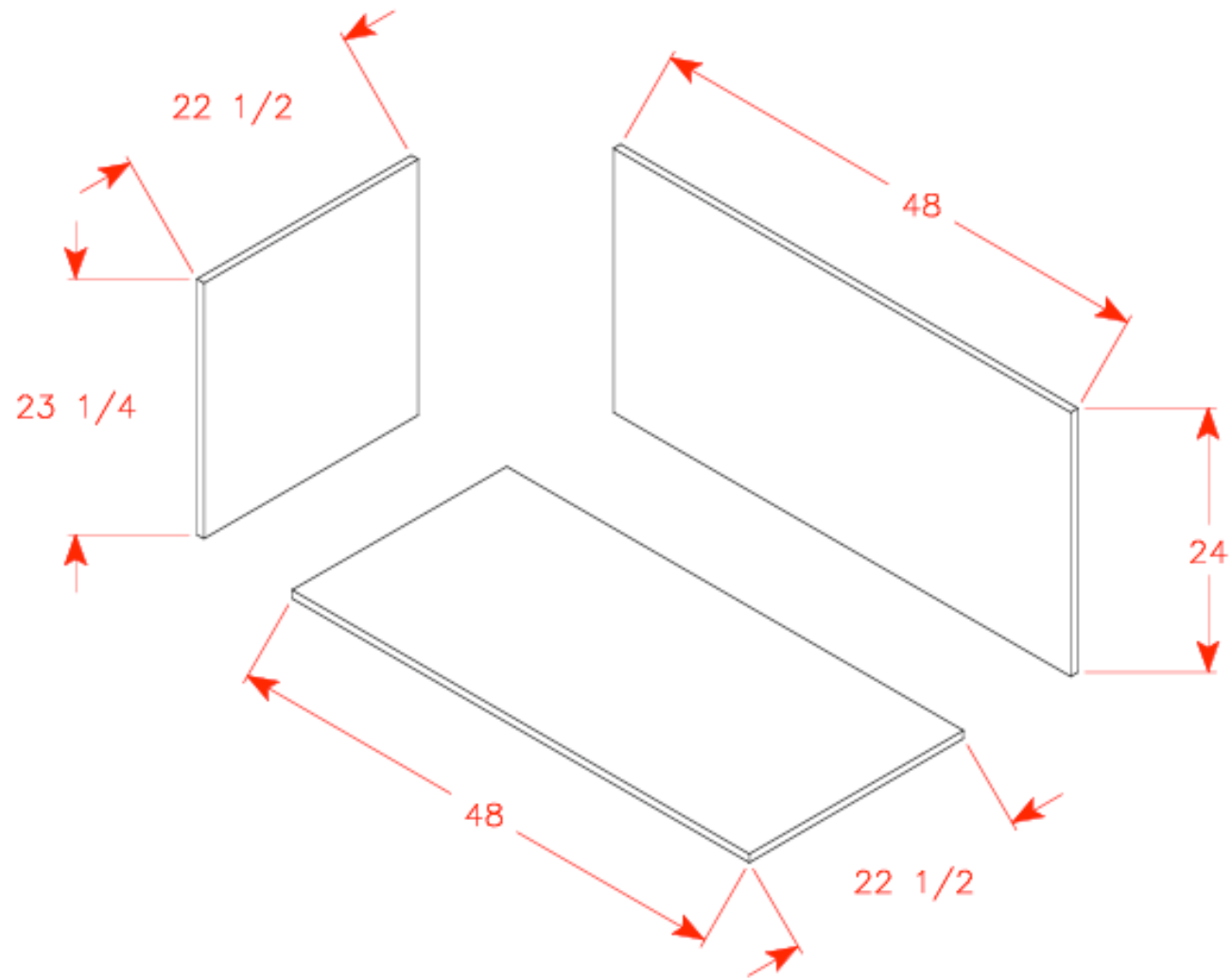
(c) 2007 Chris Baylor

Licensed to About.com, Inc.

<http://woodworking.about.com>

Page

1



Notes:

All dimensions are in inches

Planter Box

(c) 2007 Chris Baylor

Licensed to About.com, Inc.

<http://woodworking.about.com>

Page

2

Bill of Materials

Qty.	Lumber	Material	Details
1	4'x8' Sheet 3/4" Plywood	Sanded Pine or Birch Plywood	For Sides, Ends and Bottom of Box.
8	1x4x8'	Poplar or Pine (or optional hardwood)	For top and bottom trim pieces
2	2x2x8'	SPF	For structure under bottom of cabinet
1	8'	Outside Corner Trim	For outer corners
1	10' x 6'	6-mil plastic	For lining planter box
1		Lampholder Electrical Cover	For drain
1		6" piece of threaded 1/2" PVC Conduit	For drain
1		90-degree 1/2" PVC elbw	For drain