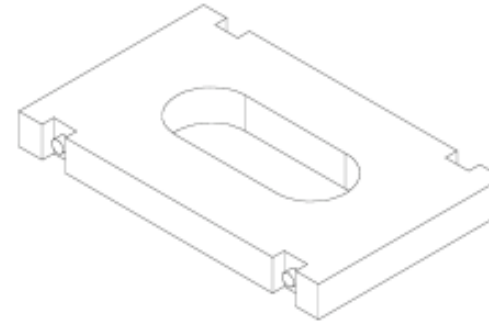
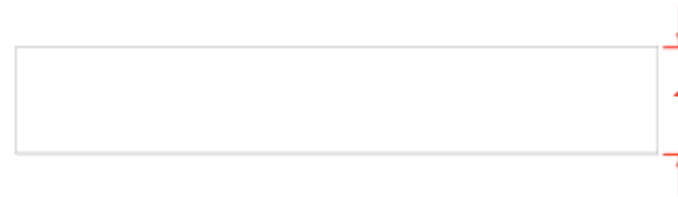


Front View

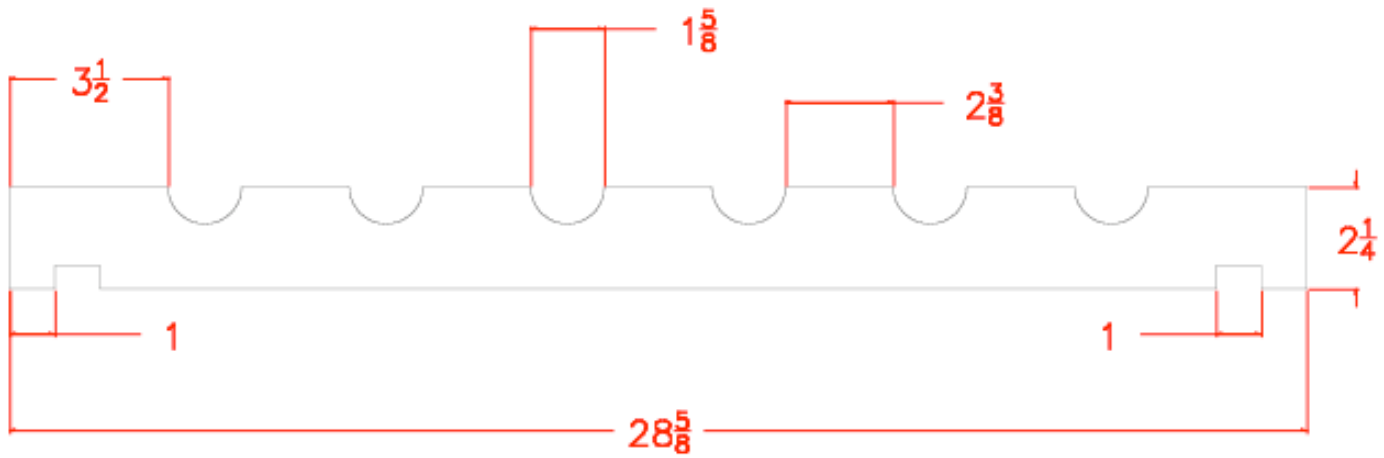


Top View



Side View

					Name	Date	Title	
				Created By				
				Checked By				
				Scale				
				Modular Wine Rack – Side Panel			Drawing Number	Issue
				(c) 2008 Chris Baylor Licensed to About.com, Inc.				
				http://woodworking.about.com				
No	Change	Date	Init					



Front View

					Name	Date	Title	
				Created By				
				Checked By				
				Scale				
				Modular Wine Rack – Front Rack			Drawing Number	Issue
				(c) 2008 Chris Bayler Licensed to About.com, Inc. http://woodworking.about.com				
No	Change	Date	Init					



Front View

					Name	Date	Title	
				Created By				
				Checked By				
				Scale				
				Modular Wine Rack – Back Panel			Drawing Number	Issue
				(c) 2006 Chris Baylor Licensed to About.com, Inc.				
				http://woodworking.about.com				
No	Change	Date	Init					

Bill of Materials

Item	Title	Qty.	Stock	Dimensions	Details
A	Front/Back	2	1x4	28.625" x 2.25"	2 pieces of 1x4 stock, ripped to 2.25" width. If making more than one set, for ease of cutting, you may wish to use one piece 4-5/8" wide for the front (cut holes and rip down center) and another piece 6-5/8" wide for the back (again, cut holes and rip to proper 2-1/4" widths)
B	Side	2	1" thick stock	9.75" x 6"	Used 1" thick (4/4) stock for stability. If using 3/4" (regular 1x stock) for this piece, adjust the dimensions accordingly.
C	Dowel	1	3/8" dowel	4" per unit	Pins for stability