

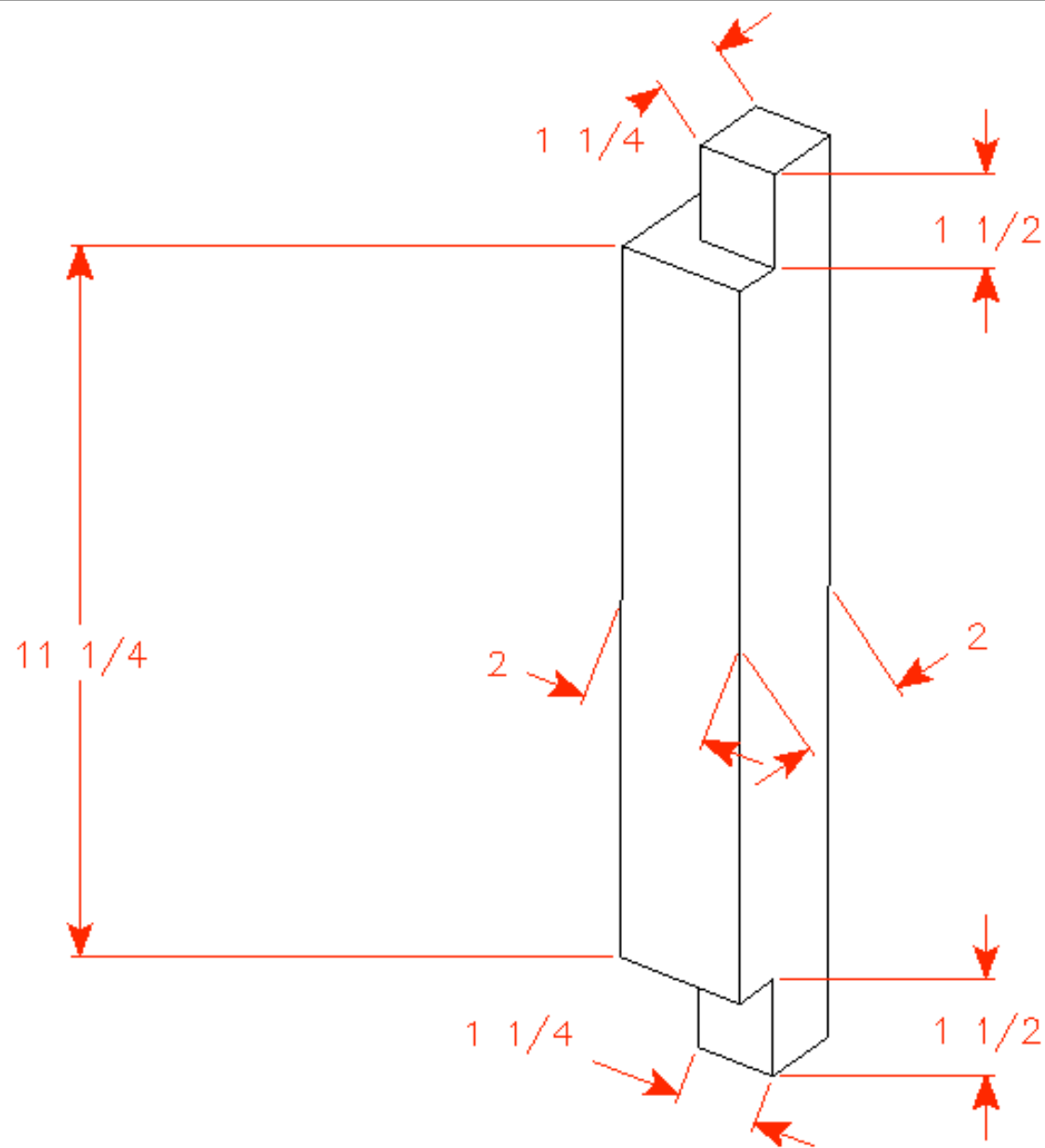
Notes:

## Modular Coffee Table

(c) 2007 Chris Baylor  
 Licensed to About.com, Inc.  
<http://woodworking.about.com>

Page

1



Notes:

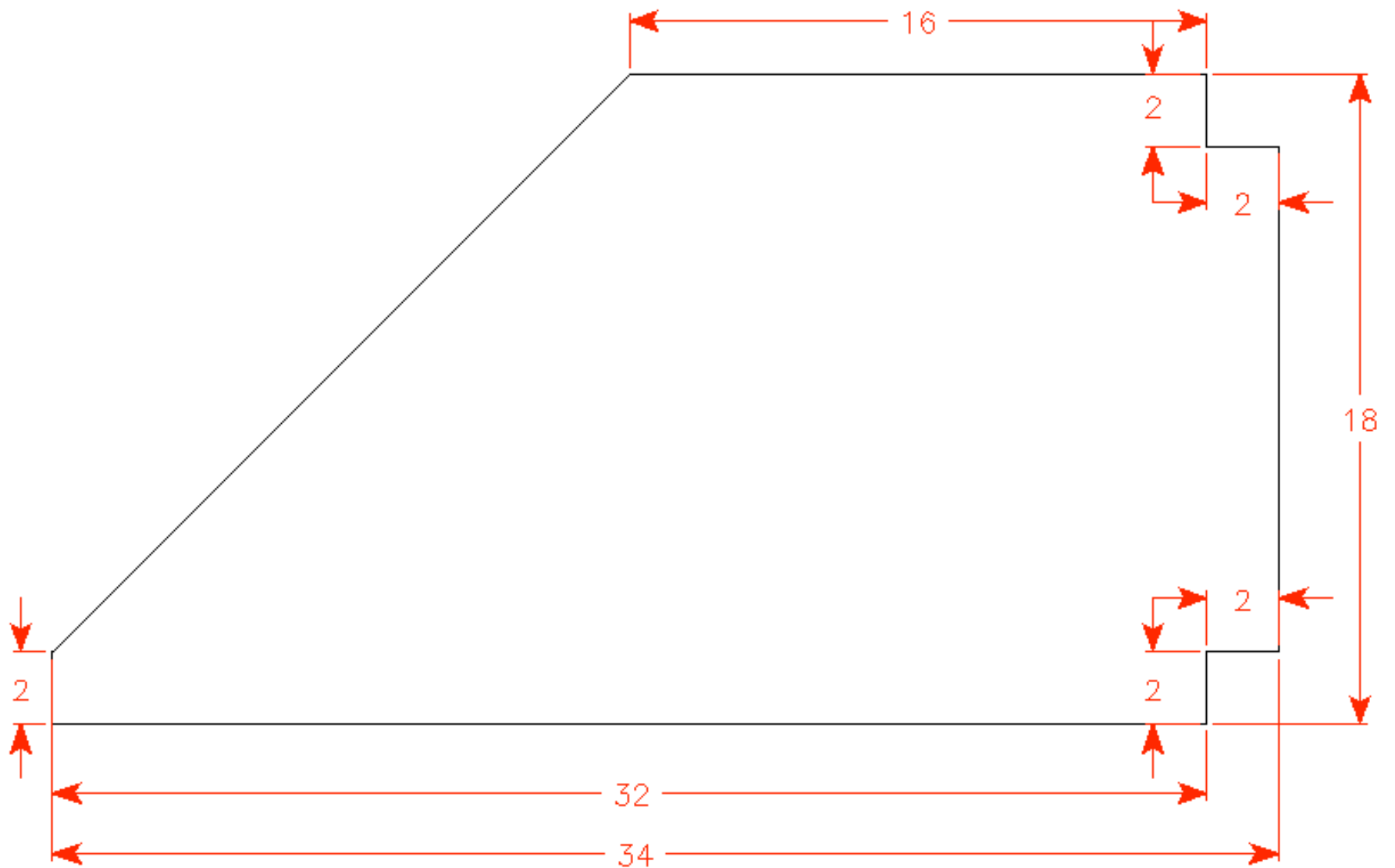
Leg Detail

Modular Coffee Table

(c) 2007 Chris Baylor  
 Licensed to About.com, Inc.  
<http://woodworking.about.com>

Page

2

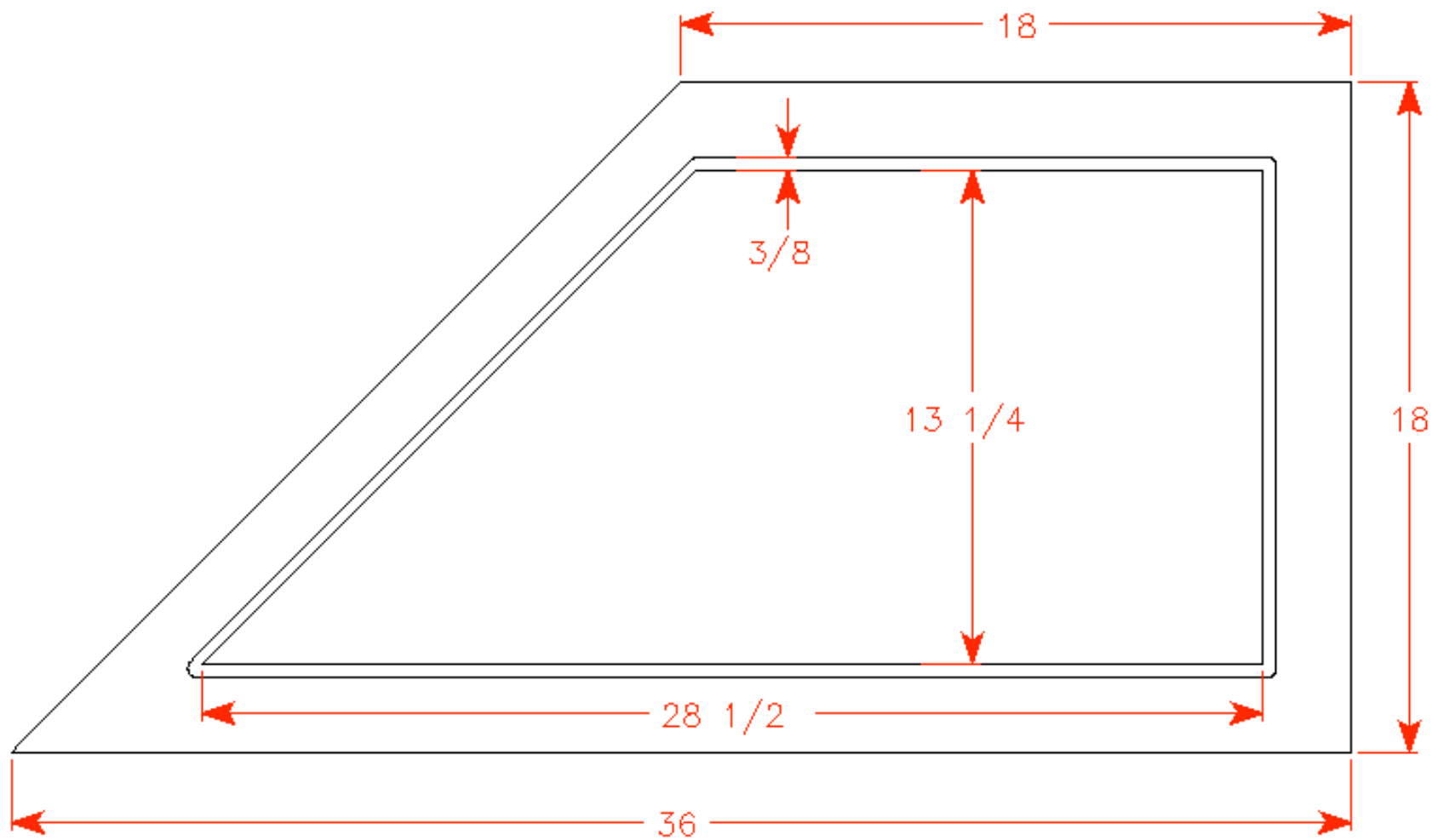


Notes: Detail of Lower (and optional Middle) Shelf

Modular Coffee Table

(c) 2007 Chris Baylor  
 Licensed to About.com, Inc.  
<http://woodworking.about.com>

Page  
 3



Notes:

Top Shelf detail

Modular Coffee Table

(c) 2007 Chris Baylor  
 Licensed to About.com, Inc.  
<http://woodworking.about.com>

Page

4

## Bill of Materials

| <b>Qty.</b> | <b>Lumber</b> | <b>Material</b>            | <b>Details</b>  |
|-------------|---------------|----------------------------|---|
| 2           | 1x8x10'       | Maple, Oak, Poplar or Pine | For glue-up of table top and bottom. Purchase an additional 5' length if a center shelf is desired.                 |
| 1           | 1x6x10'       | Maple, Oak, Poplar or Pine | For glue-up of table top and bottom. Purchase an additional 5' length if a center shelf is desired.                 |
| 1           | 2"x2"x6'      | Maple, Oak, Poplar or Pine | Legs. Actual size is 2" x 2". Buy 12/8 stock and mill it down or have your supplier mill it to actual size for you. |
| 4           | 1x2x6'        | Maple, Oak, Poplar or Pine | Struts under top and bottom shelf.  |
| 4           | Casters       | 1-1/2" diameter Casters    | For under-side of table. (Optional)   |
| 2           | Glass         | 1/4"-thick beveled glass   | For table tops. Have glass cut to size by supplier.   |