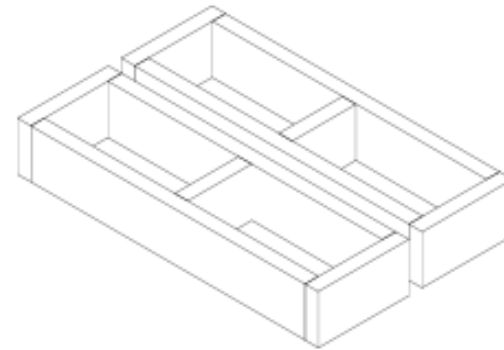
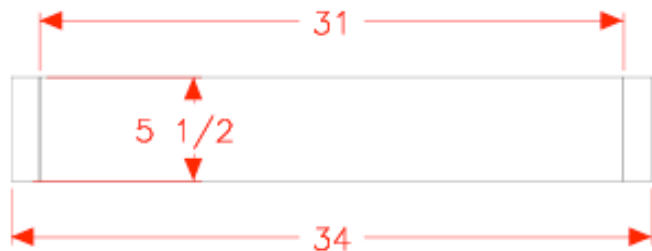


Top 31



Iso



Side



End

Notes:

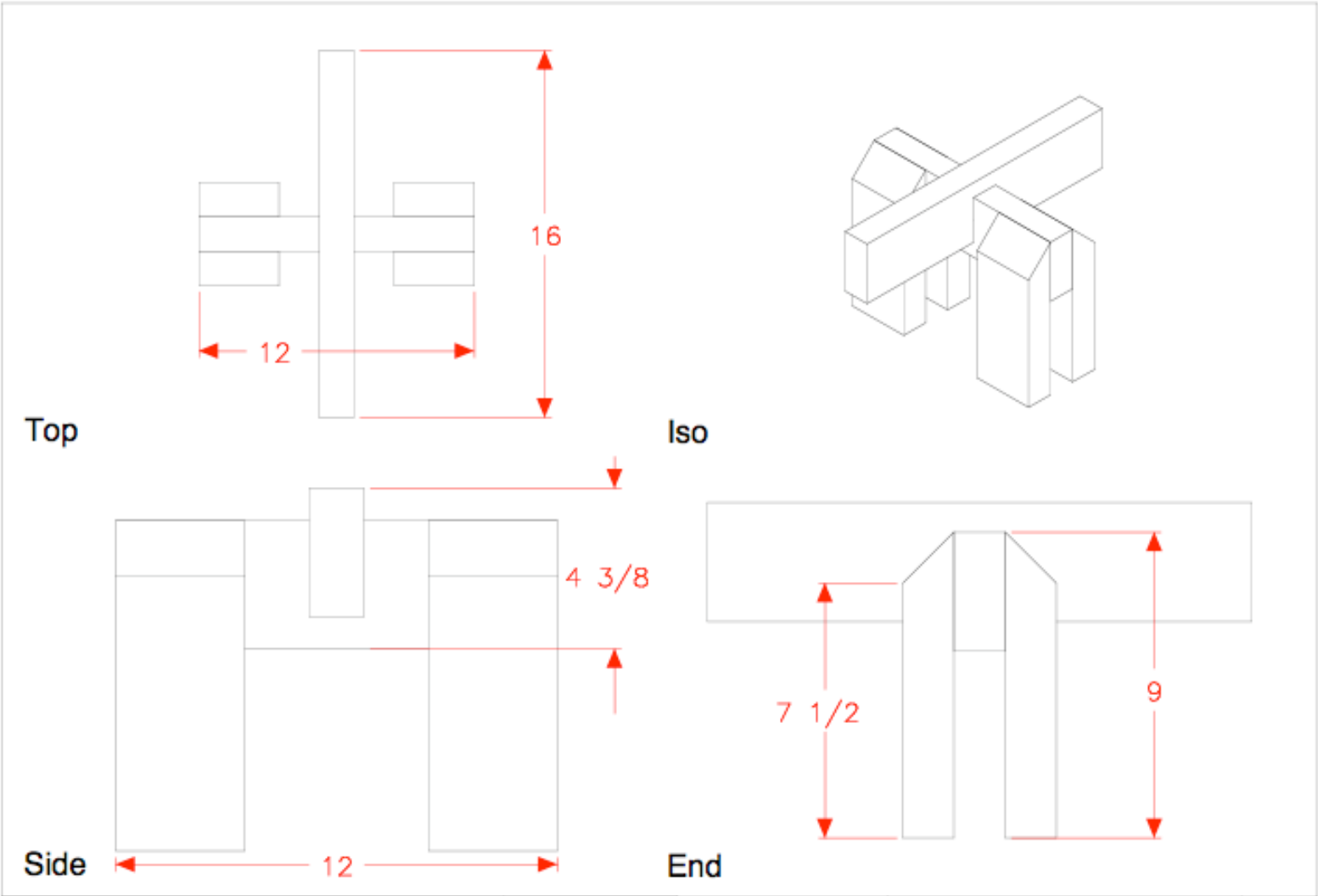
All dimensions are in inches

Miter Saw Stand
Table under-structure

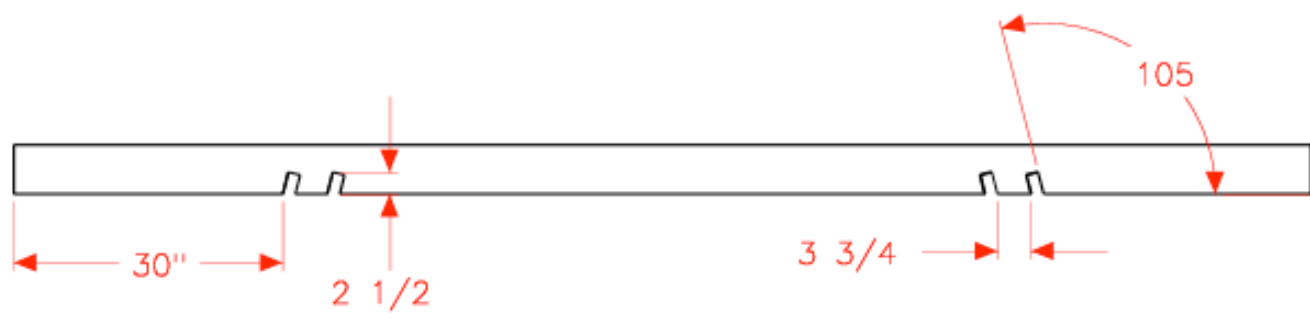
(c) 2007 Chris Baylor
Licensed to About.com, Inc.
<http://woodworking.about.com>

Page

1



<p>Notes: All dimensions are in inches</p>	<p>Miter Saw Stand Stock Support</p>	<p>(c) 2007 Chris Baylor Licensed to About.com, Inc. http://woodworking.about.com</p>	<p>Page 2</p>
---	--	--	-------------------



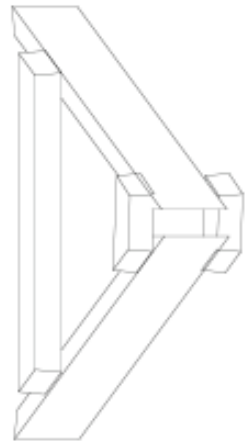
Notes:

Linear dimensions in inches
 Angular dimensions in degrees

Miter Saw Stand
 Main Crossbar

(c) 2007 Chris Baylor
 Licensed to About.com, Inc.
<http://woodworking.about.com>

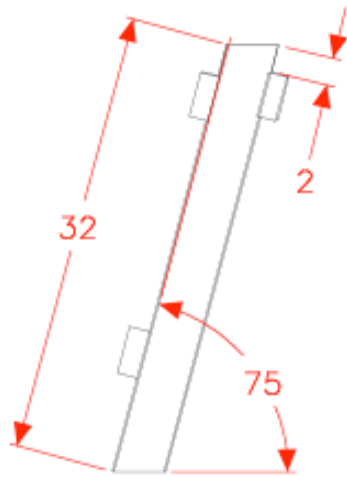
Page
 3



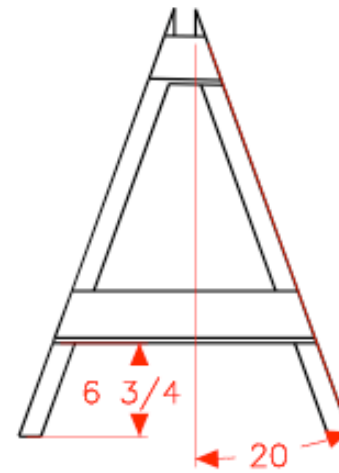
Top View



Iso View



Side View



End View

Notes:

Linear dimensions in inches
Angular dimensions in degrees

Miter Saw Stand
Leg Assembly

(c) 2007 Chris Baylor
Licensed to About.com, Inc.
<http://woodworking.about.com>

Page

4

Bill of Materials

Qty.	Stock	Details
5	2x4x8'	For leg assemblies and stock support assemblies
2	2x6x8'	For saw table structure
1	2x6x12'	For main crossbar
1	3/4" melamine	1 24" x 36" sheet of 3/4" melamine
4	Bolts & Nuts	4 1/2" diameter, 3" long lag bolts with 2 flat washers, 1 lock washer & 1 nut each