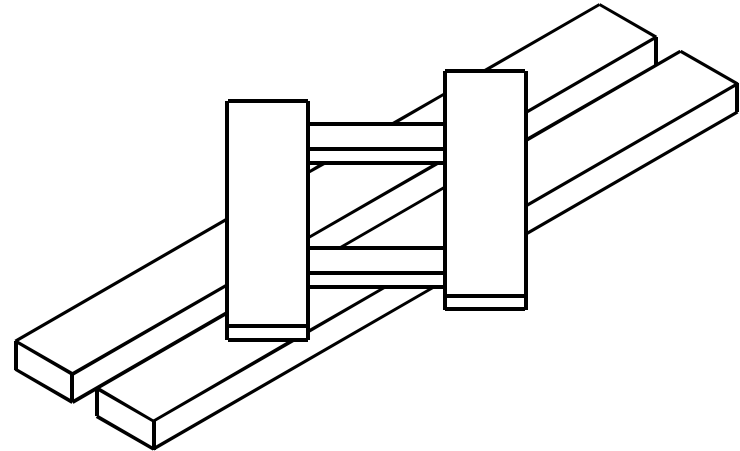
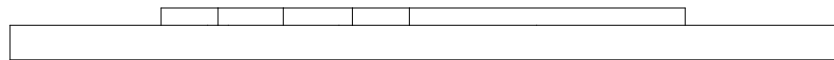


See notes below



A: Width of router base
B: Router base plus length of groove
C: Width of stock to be routed

Louver Jig

(c) 2008 Chris Baylor
 Licensed to About.com, Inc.
<http://woodworking.about.com>