

Notes:

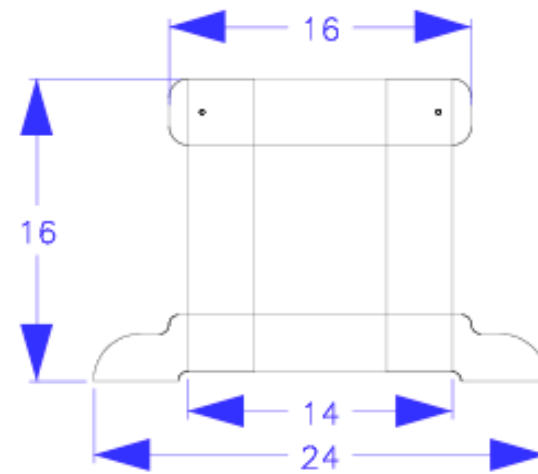
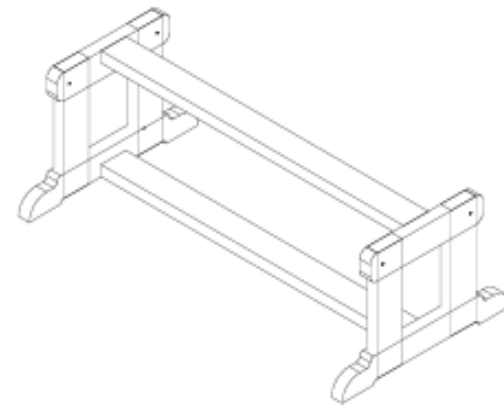
All dimensions in inches

Love Seat Glider Rocker

(c) 2009 Chris Baylor
Licensed to About.com, Inc.
<http://woodworking.about.com>

Page

1

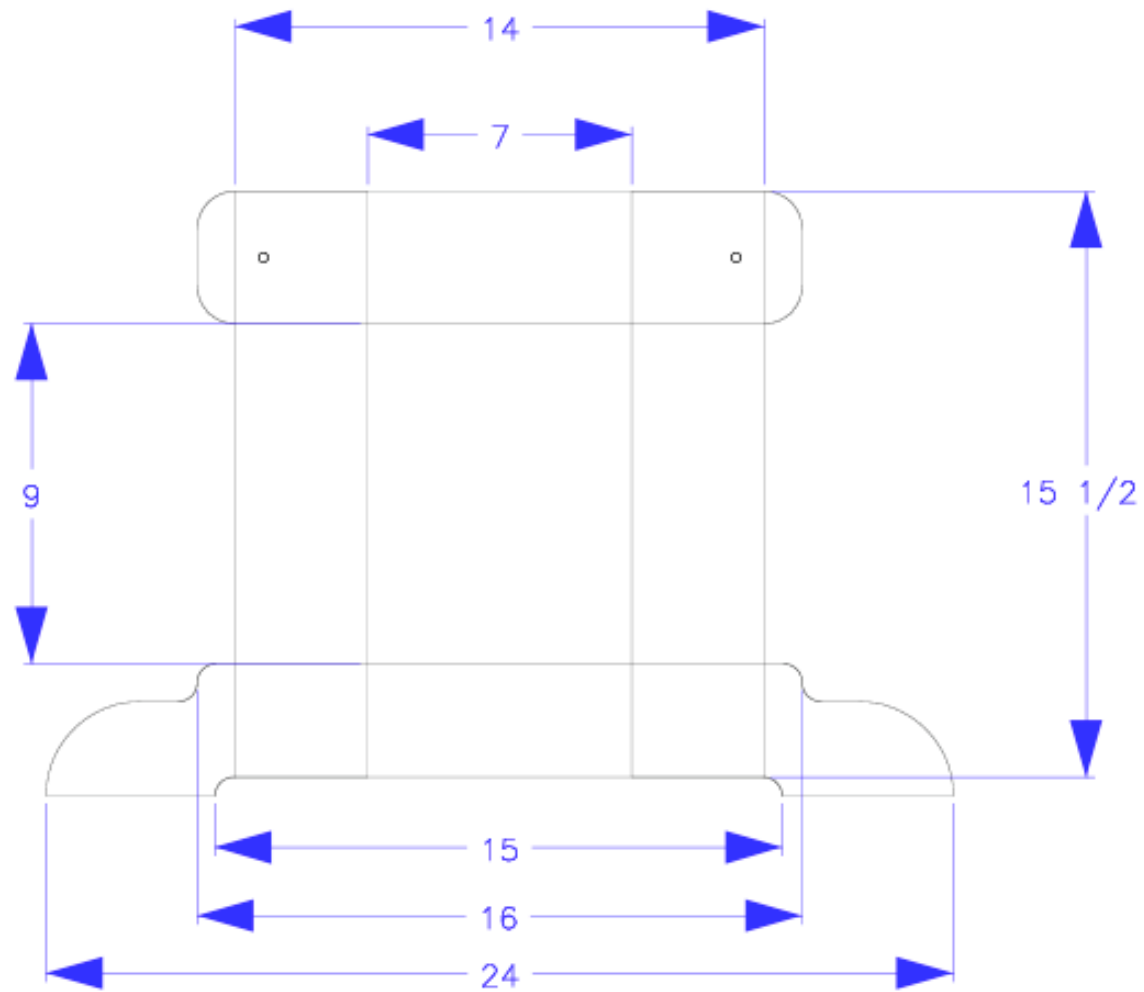


Notes: **Base Assembly**
All dimensions in inches

Love Seat Glider Rocker

(c) 2009 Chris Baylor
Licensed to About.com, Inc.
<http://woodworking.about.com>

Page
2

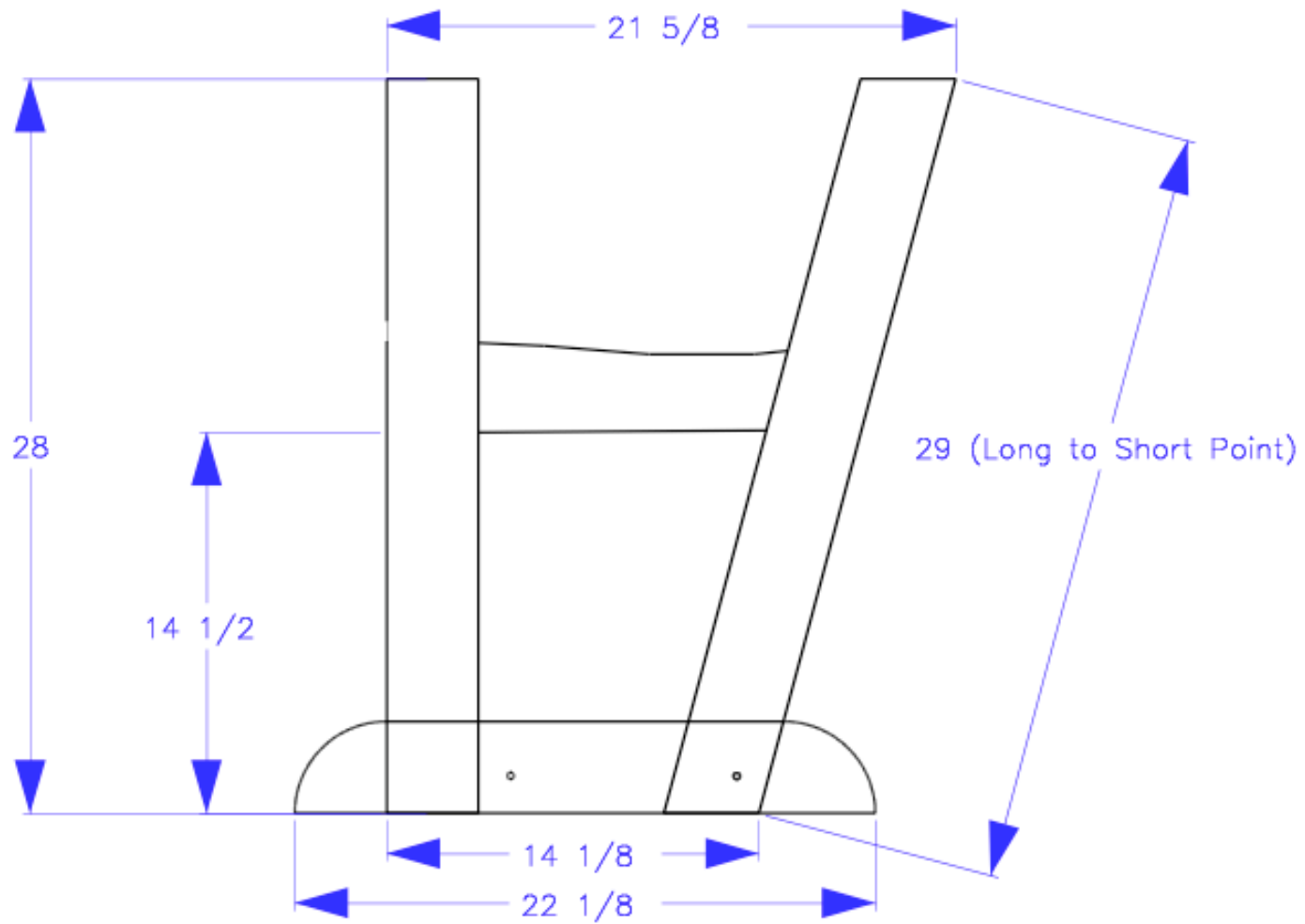


Notes: **Base Ends**
All dimensions in inches

Love Seat Glider Rocker

(c) 2009 Chris Baylor
Licensed to About.com, Inc.
<http://woodworking.about.com>

Page
3

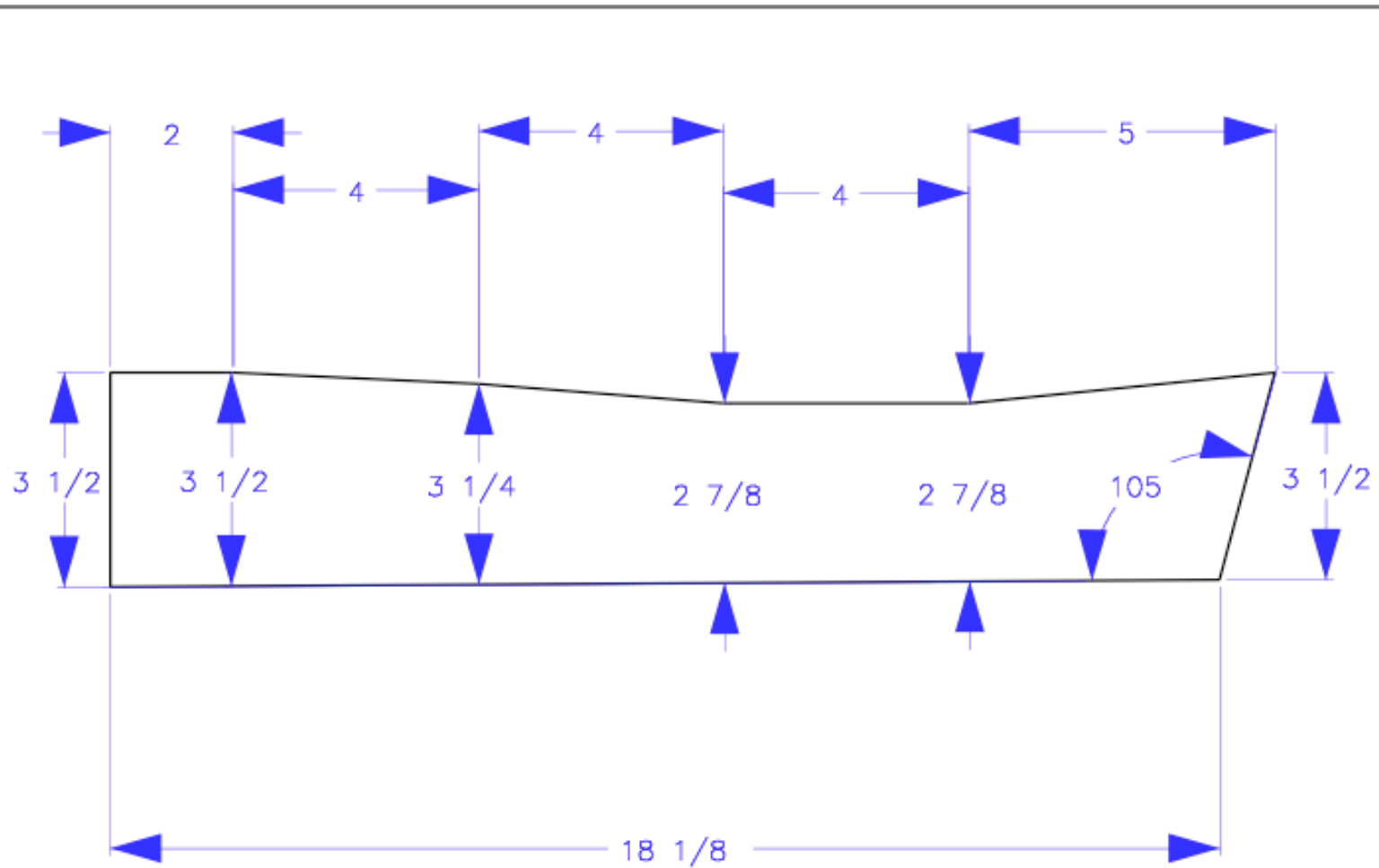


Notes: **Chair Ends Construction**
All dimensions in inches

Love Seat Glider Rocker

(c) 2009 Chris Baylor
Licensed to About.com, Inc.
<http://woodworking.about.com>

Page
4

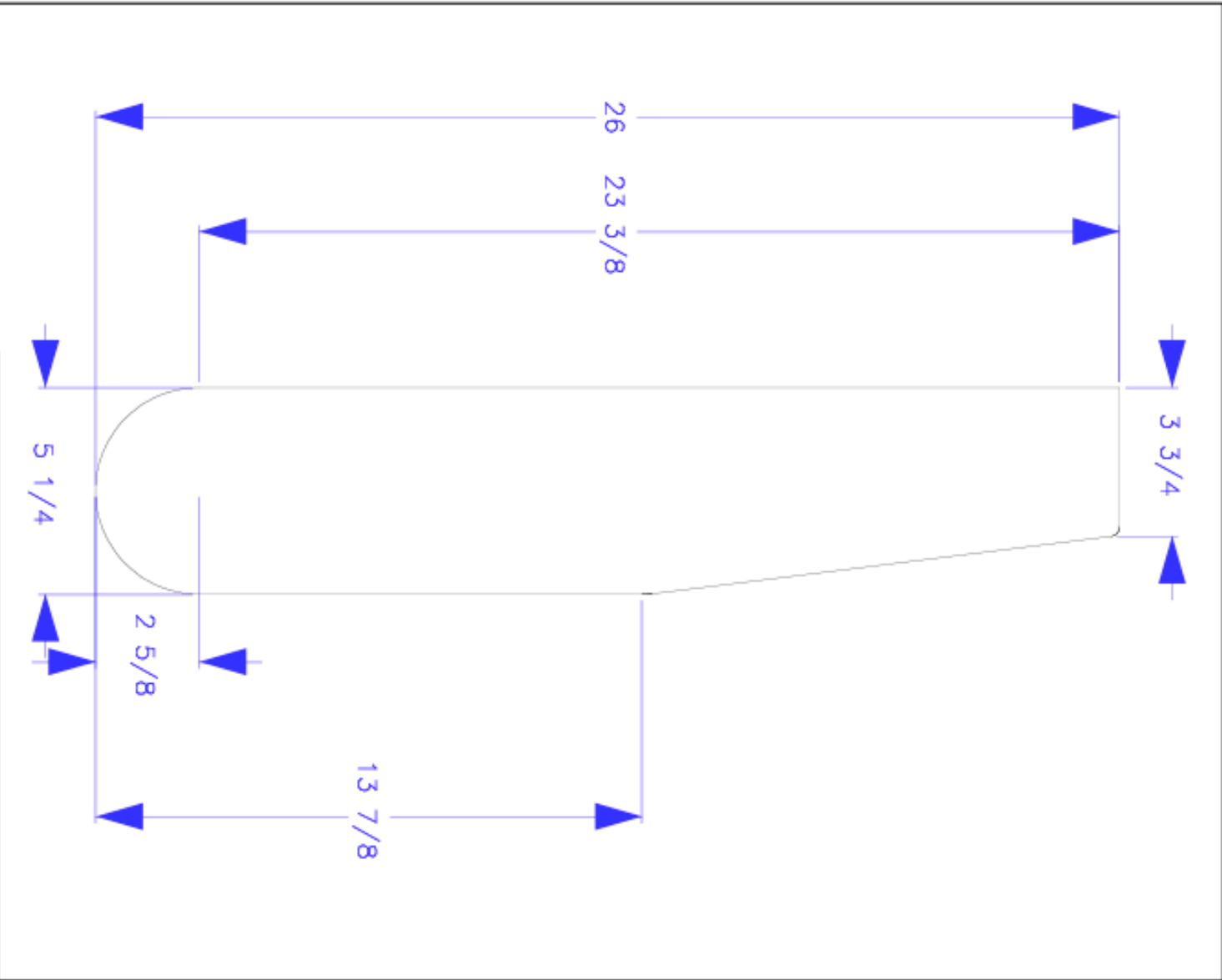


Notes:
Seat Slat Bases (3)
 All dimensions in inches or degrees

Love Seat Glider Rocker

(c) 2009 Chris Baylor
 Licensed to About.com, Inc.
<http://woodworking.about.com>

Page
5

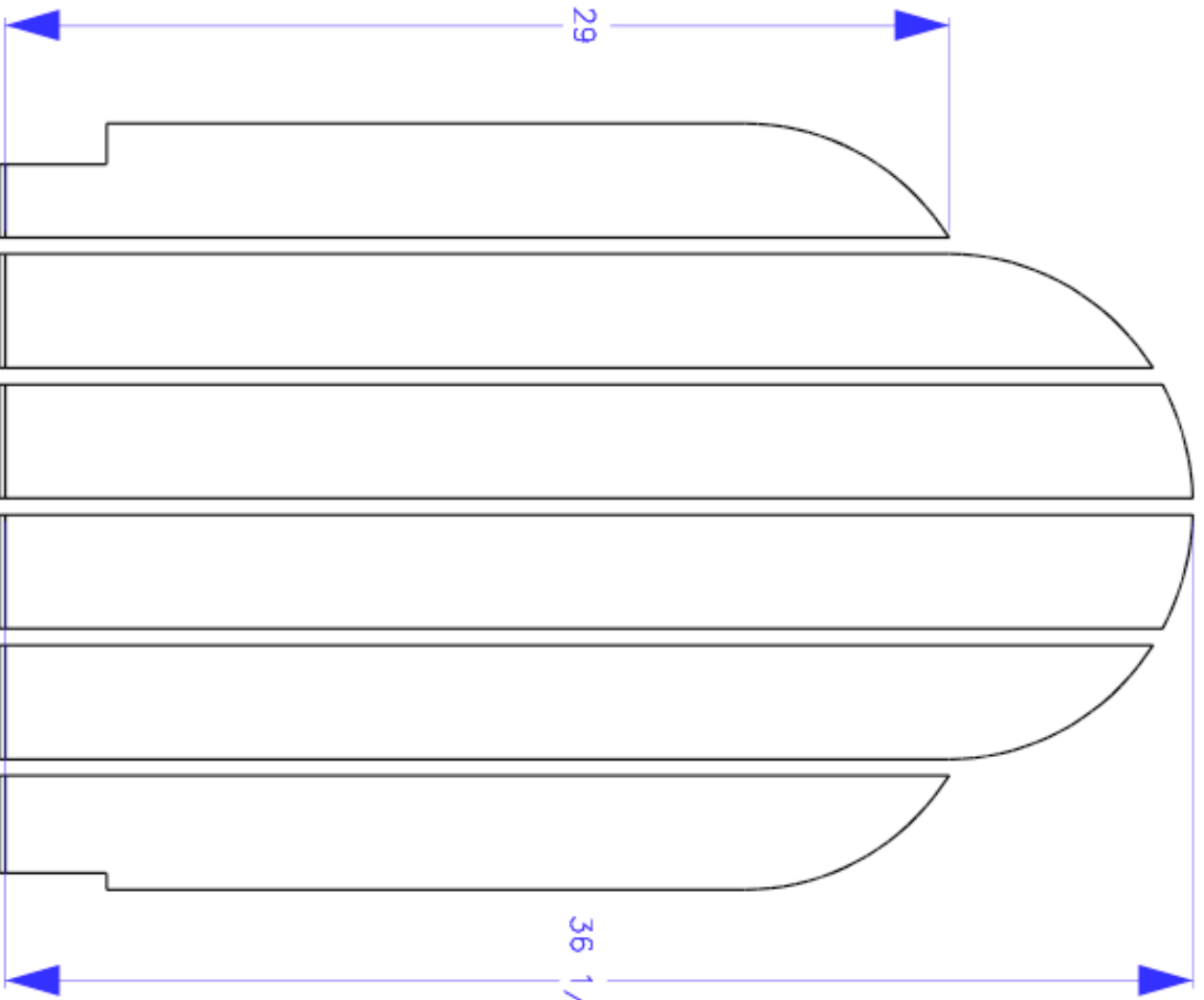


Notes
Arm Rest
 All dimensions in inches

Love Seat Gilder Rocker

(c) 2009 Chris Baylor
 Licensed to About.com, Inc.
 woodworking.about.com

Page
6



Notes Adirondack-Style Back
All dimensions in inches

Love Seat Glider Rocker

(c) 2009 Chris Baylor
Licensed to About.com, Inc.
woodworking.about.com

Page
7

Bill of Materials

Qty.	Lumber	Material	Details
1	1x6 x 6'	SPF	For Arm Rests
7	2x4 x 8'	SPF	For Seat Supports, Base and Chair Ends
12	1x4 x 8'	SPF	For Seat, Back, Supports
1	1x4 x 8'	Hardwood	For Swing Arms
1		Glider Rocker Kit	Bearings (8) along with supporting hardware