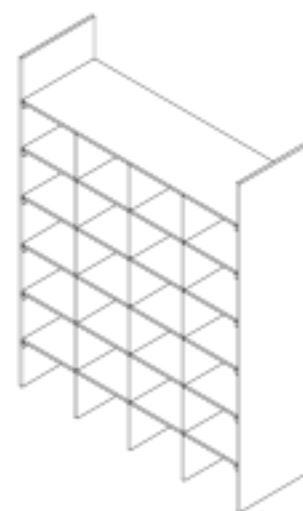
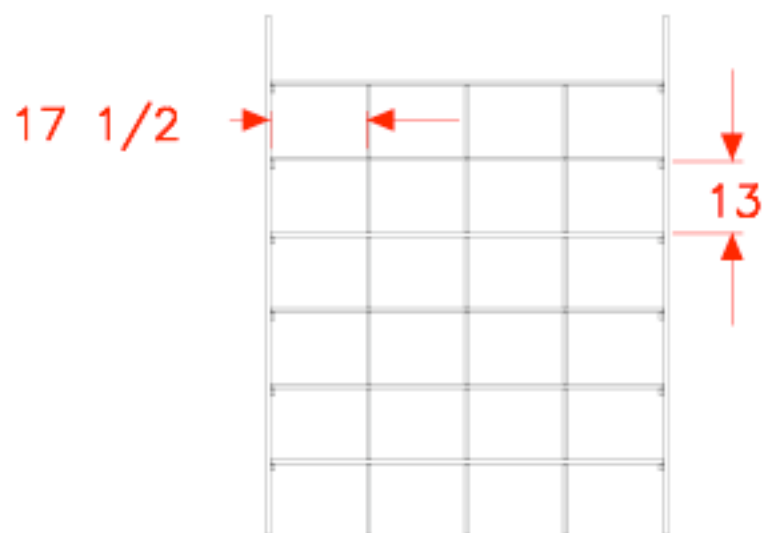


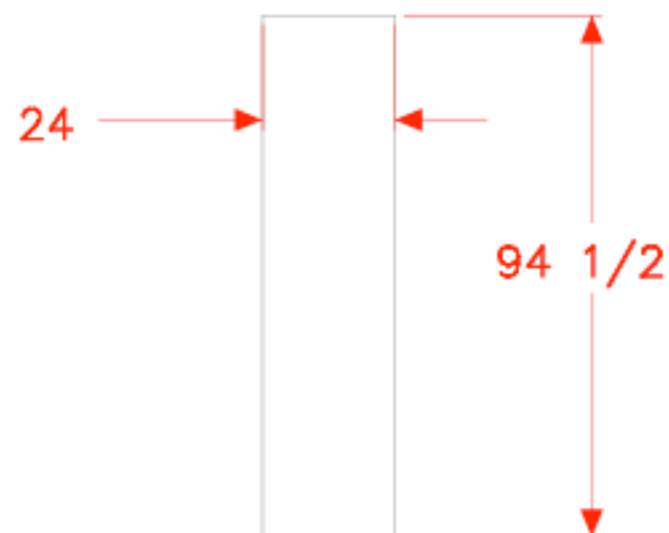
Top



Iso



Front



Side

Notes:

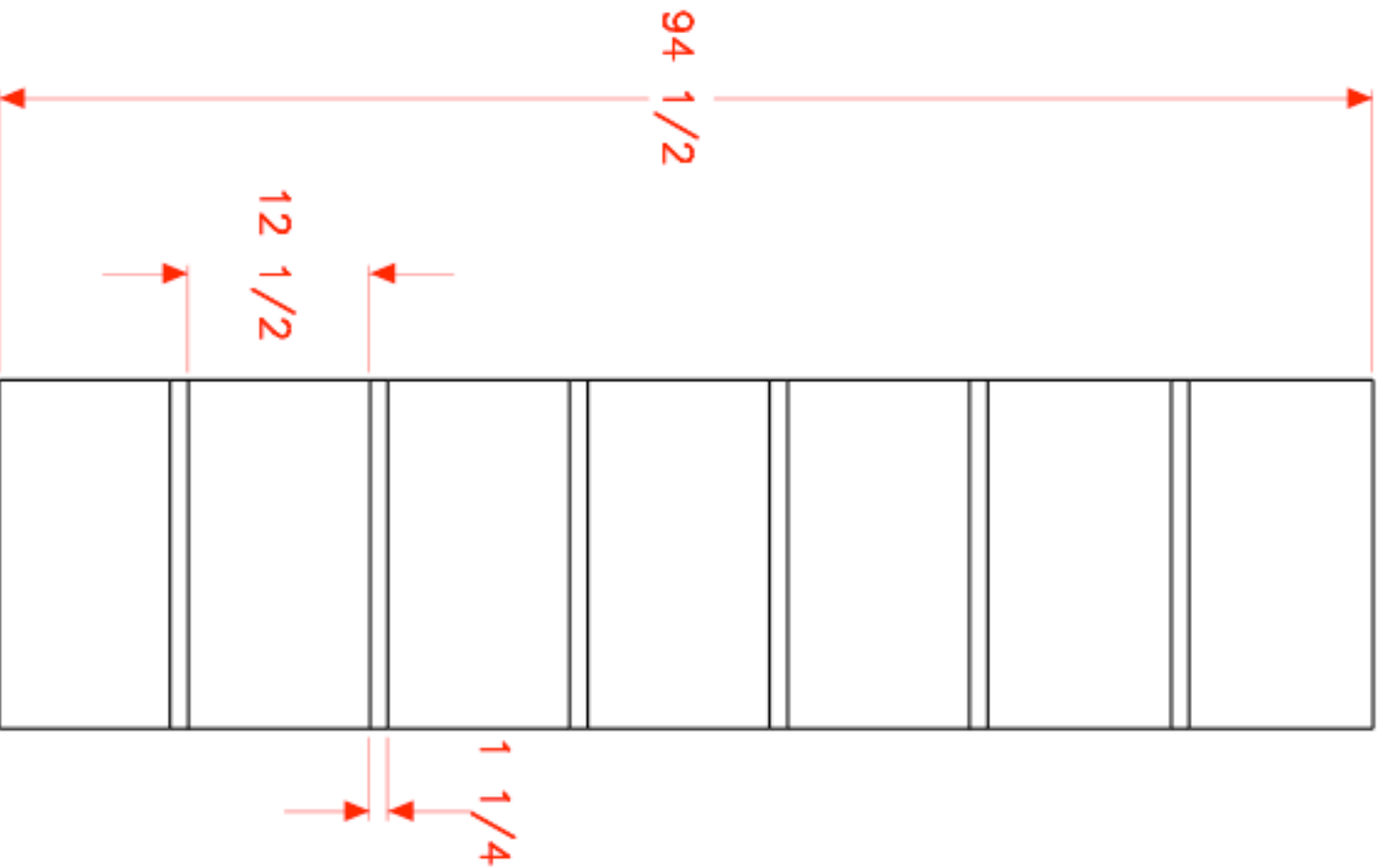
All dimensions in inches

Craft Storage Center

(c) 2007 Chris Baylor
 Licensed to About.com, Inc.
<http://woodworking.about.com>

Page

1



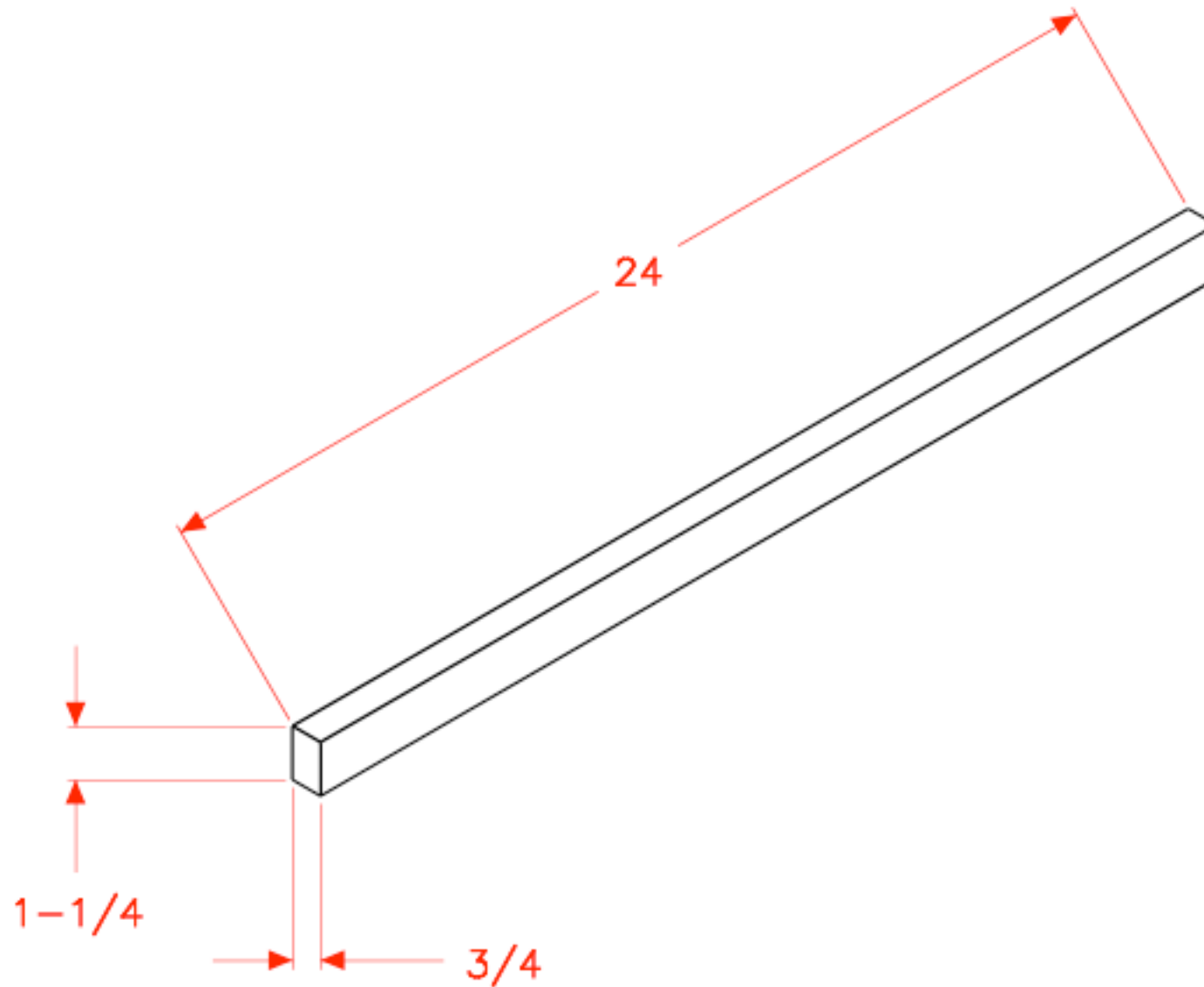
Side Standard with Shelf Supports

Notes
All dimensions in inches

Craft Storage Center

(c) 2007 Chris Beyer
Licensed to About.com, Inc.
woodworking.about.com

Page
2



Shelf Support

Notes:

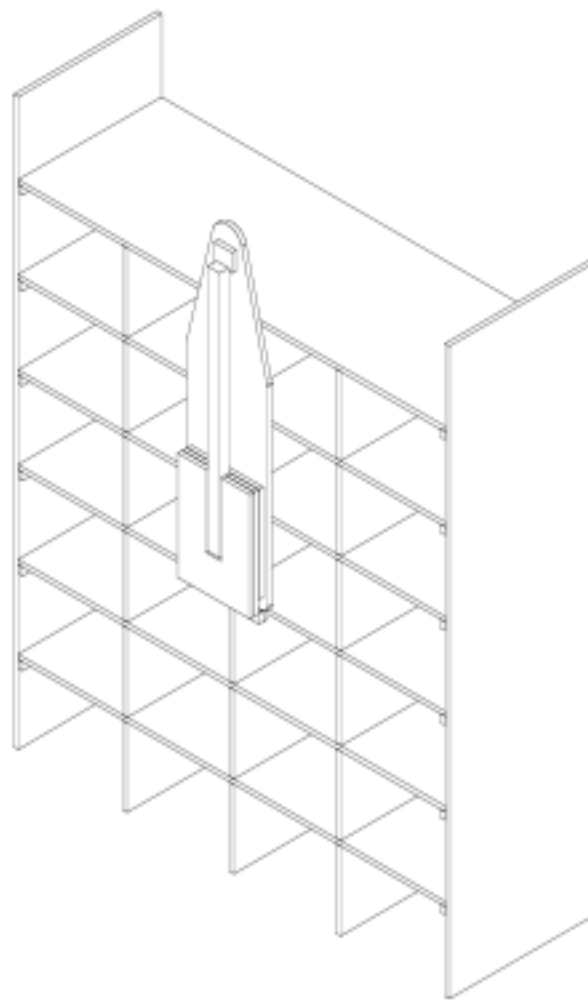
All dimensions in inches

Craft Storage Center

(c) 2007 Chris Baylor
Licensed to About.com, Inc.
<http://woodworking.about.com>

Page

3



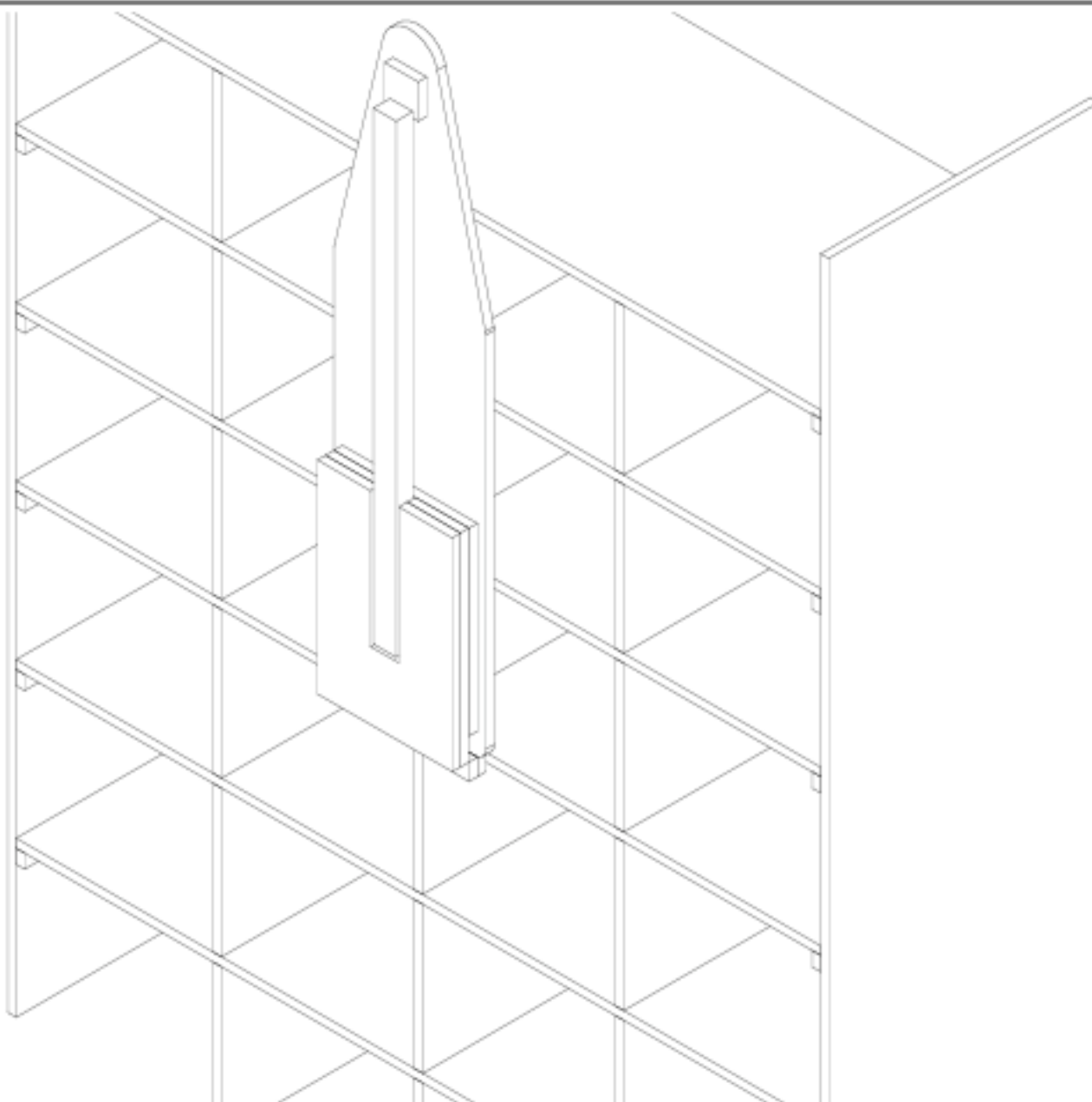
Notes:

**Craft Storage Center
Ironing Board option**

(c) 2007 Chris Baylor
Licensed to About.com, Inc.
<http://woodworking.about.com>

Page

4



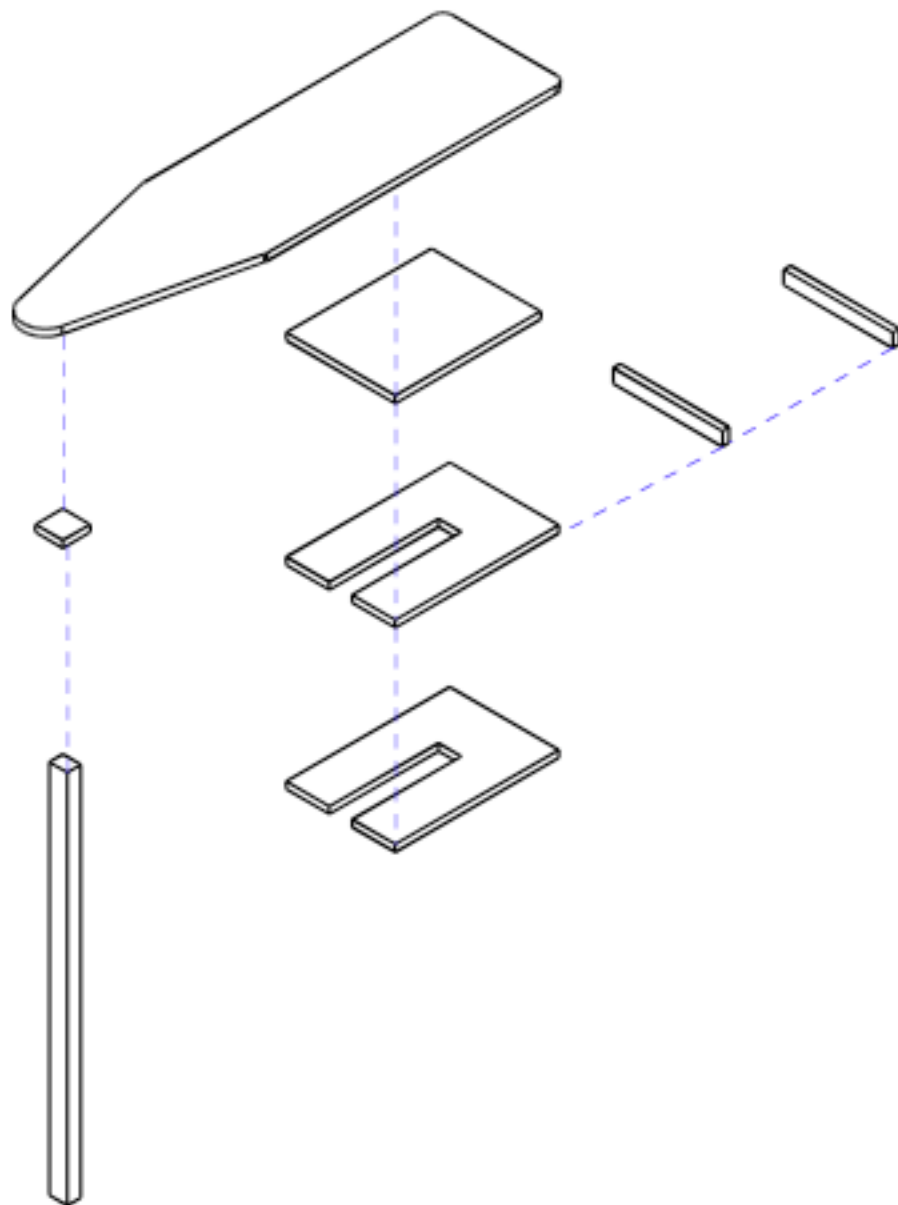
Notes:

Craft Storage Center Ironing Board Option

(c) 2007 Chris Baylor
Licensed to About.com, Inc.
<http://woodworking.about.com>

Page

5



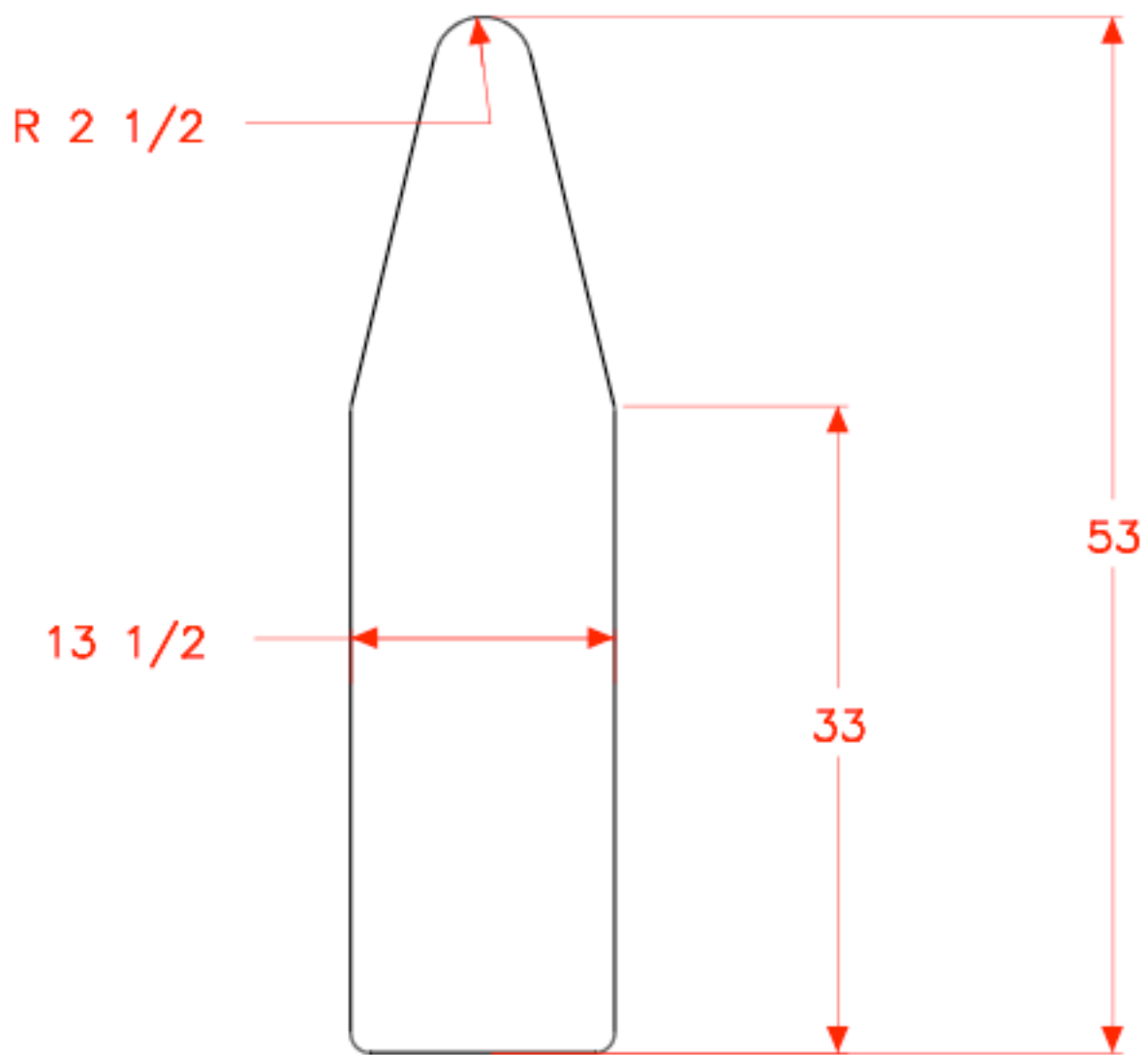
Notes:

Ironing Board (Exploded)

(c) 2007 Chris Baylor
Licensed to About.com, Inc.
<http://woodworking.about.com>

Page

6



Notes:

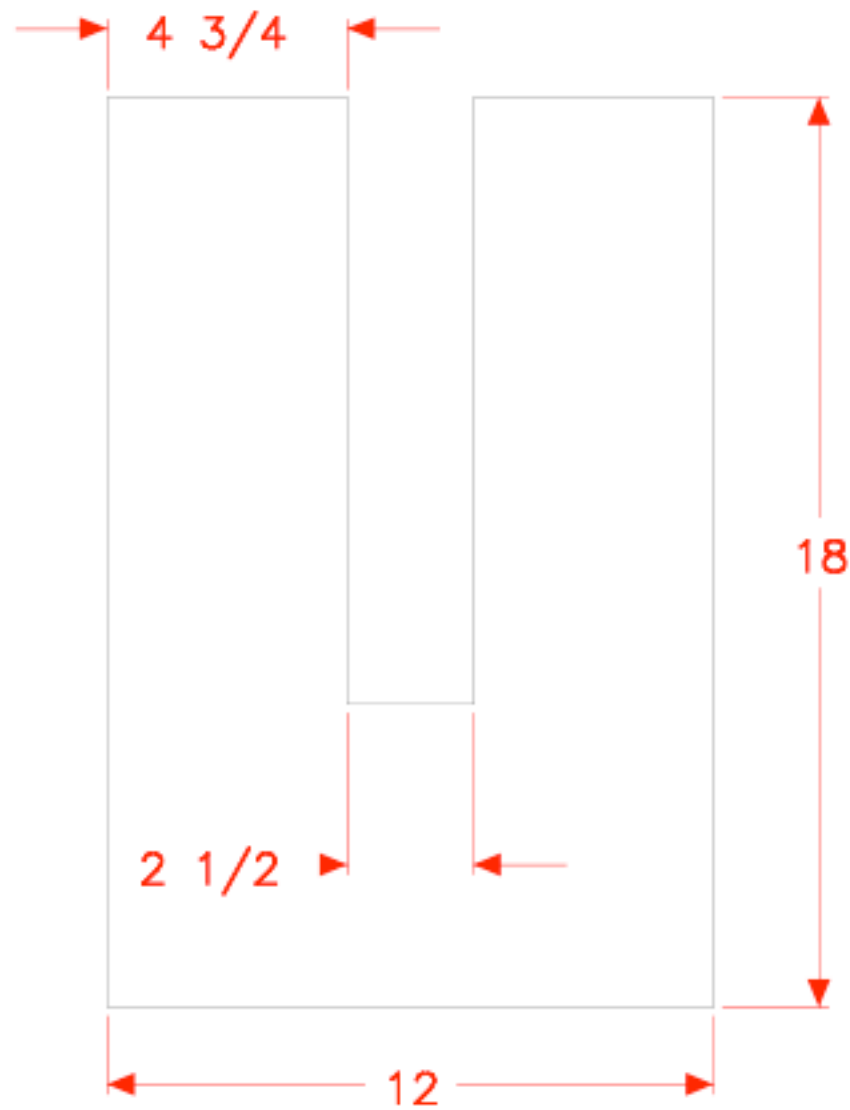
All dimensions in inches

Ironing Board

(c) 2007 Chris Baylor
Licensed to About.com, Inc.
<http://woodworking.about.com>

Page

7



Notes:

All dimensions in inches

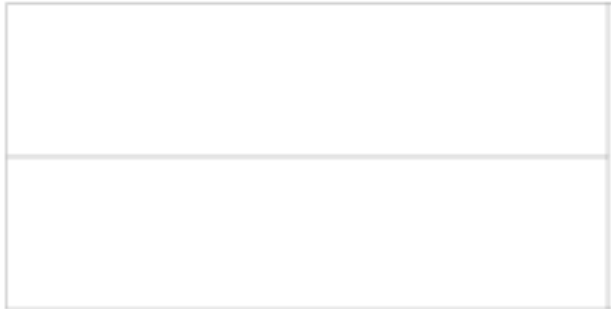
Ironing Board Support

(c) 2007 Chris Baylor
Licensed to About.com, Inc.
<http://woodworking.about.com>

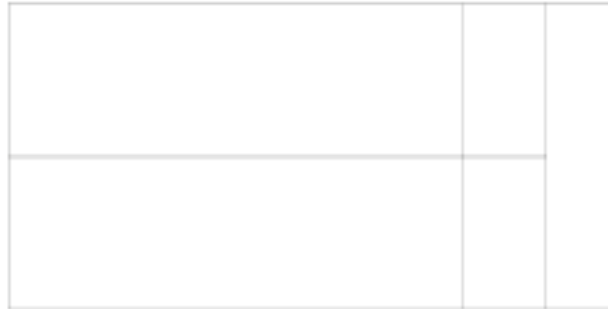
Page

8

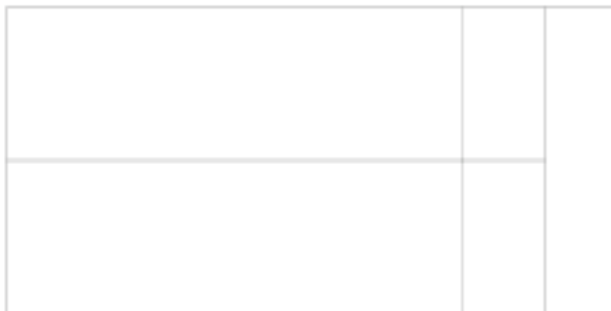
**Plywood #1
Standards**



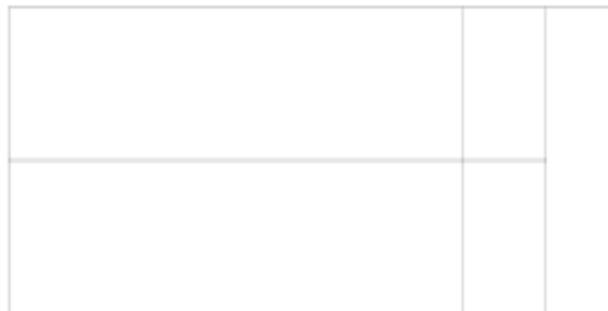
**Plywood #2
Shelves and
Separators**



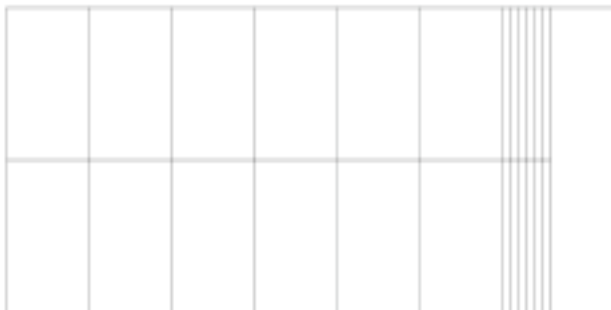
**Plywood #3
Shelves and
Separators**



**Plywood #4
Shelves and
Separators**



**Plywood #5
Separators and
Shelf Supports**



**Plywood #6
Ironing Board**



Notes:

Includes optional Ironing Board on Plywood #6
All sheets are 3/4" (23/32") sanded plywood

Craft Storage Center

(c) 2007 Chris Baylor
Licensed to About.com, Inc.
<http://woodworking.about.com>

Page

9

Bill of Materials

Qty.	Lumber	Material	Details
6	3/4" Plywood	Sanded Plywood	Plywood for parts (subtract one sheet if no ironing board option)
1	2x4 x 4'	SPF	Ironing board option - support leg
1	12"	Piano Hinge	Ironing board option - Folding hinge
1	2"	Hinge	Ironing board option - support leg hinge
1	16" or 18"	Bungee Cord	Ironing board option - Ironing board holder
24	58 quart		58-quart Sterilite containers (Available at Wal-Mart or other discount stores)