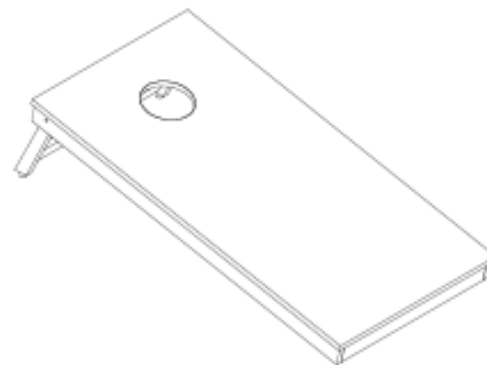


**Top View**



**Iso View**



**Side View**



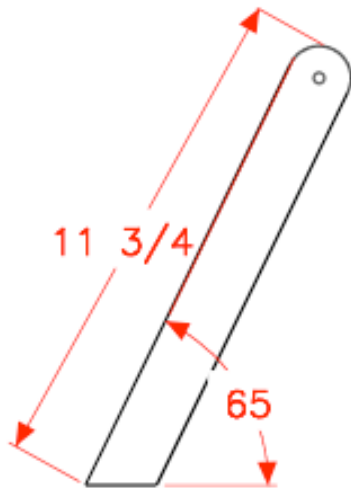
**Front View**

**Notes:**

Linear dimensions in inches  
Angular dimensions in degrees

**Cornhole Board**

(c) 2008 Chris Baylor  
Licensed to About.com, Inc.  
<http://woodworking.about.com>



Notes:

Linear dimensions in inches

Angular dimensions in degrees

## Cornhole Board

(c) 2008 Chris Baylor

Licensed to About.com, Inc.

<http://woodworking.about.com>

Page

2

1-1/8"



Notes:

## Cornhole Board

(c) 2008 Chris Baylor  
Licensed to About.com, Inc.  
<http://woodworking.about.com>

Page

3

## Bill of Materials

| Qty. | Lumber                      | Material                              | Details                    |
|------|-----------------------------|---------------------------------------|----------------------------|
| 1    | 2'x4' Sheet<br>3/4" Plywood | Sanded Pine or Birch Plywood          | For top of playing surface |
| 3    | 1x4x8'                      | Poplar or Pine (or optional hardwood) | For sides of base and legs |
| 2    |                             | 1/2" tall rubber bumpers              |                            |
| 2    |                             | 2" long, 5/16" bolts                  |                            |
| 2    |                             | 5/16" lock nuts                       |                            |
| 6    |                             | 5/16" flat washers                    |                            |