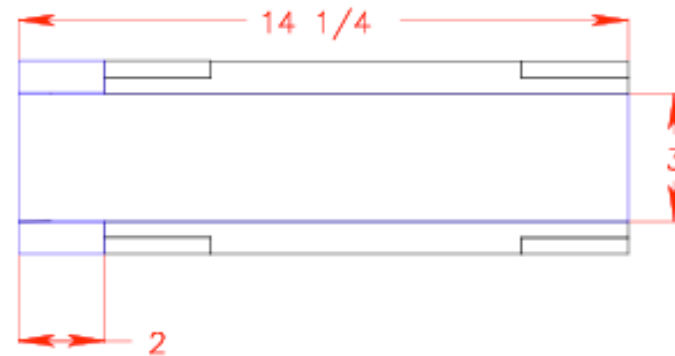
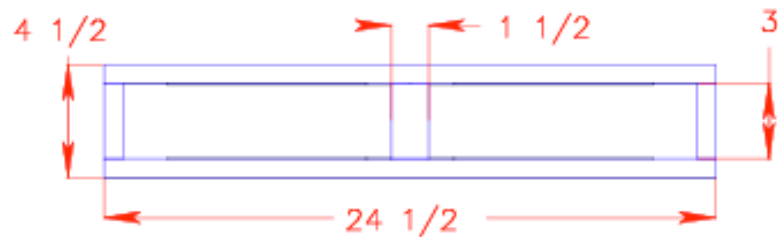
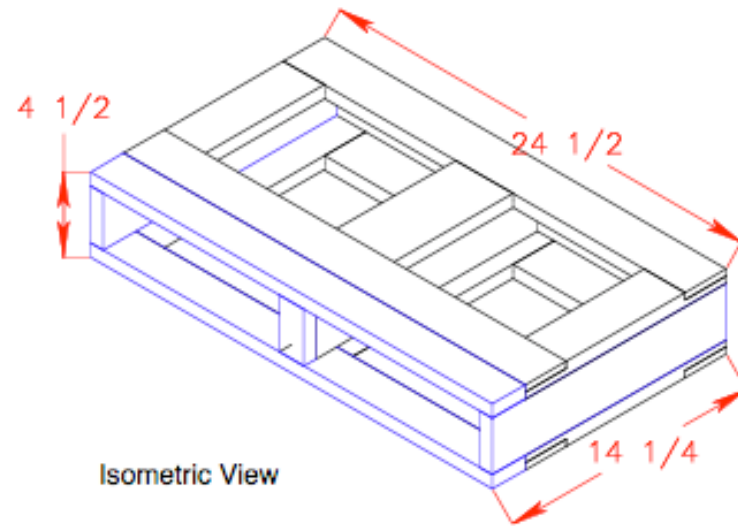
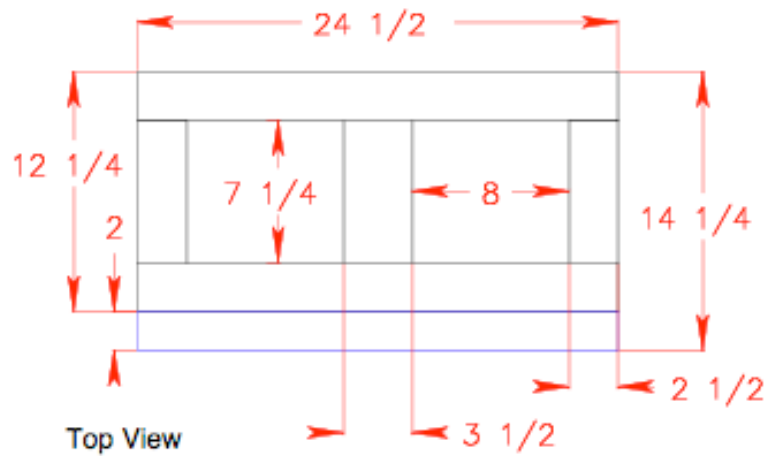
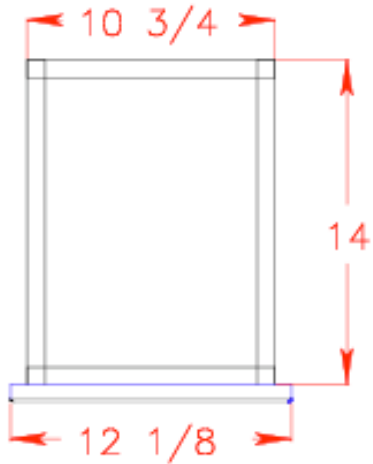


					Name	Date	Title
				Created By			
				Checked By			
				Scale			
				Computer Monitor Riser			Drawing Number
				(c) 2008 Chris Beyer Licensed to About.com, Inc.			Issue
				http://woodworking.about.com			
No	Change	Date	Init				

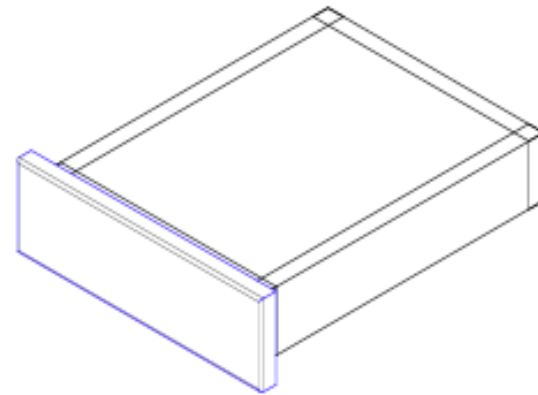


Note: Blue objects are hardwood - Black objects are structural

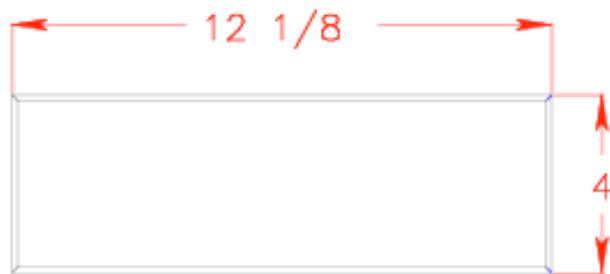




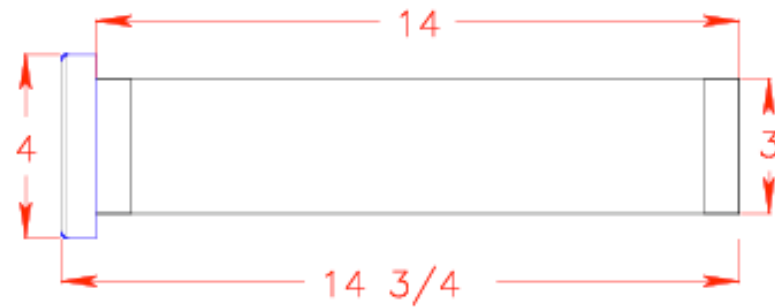
Top View



Isometric View



Front View



Side View

Note: Drawers should be joined using through dovetails or box joints. Face of drawer is attached to drawer body with screws.



Bill of Materials

Qty.	Lumber	Material	Details
15'	1x6	Maple or Oak	Hardwood for top, sides and drawer fronts
7'	1x4	Maple or Oak	Visible carcass pieces & trim
24'	1x4	Poplar or Pine	Structural carcass & drawer parts
2	1/4" plywood	Pine or Birch	2 pieces sanded 1/4" plywood, sized 9-11/16" x 13" for drawer bottoms
2			Drawer handles